

POWER RELAY



JQX-82F 1Z



Patent number: 200920185153.2

Contact specification

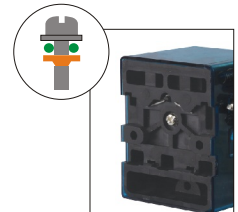
Contact form	1Z, 1H, 1D
Contact resistance	≤100mΩ (1A 6VDC)
Contact material	AgCdO AgSnO ₂
Contact capacity	150A300VDC

Technical specification

Insulation resistance	≥500MΩ (500VDC)
Dielectric strength	Between coil and contact ≥2500VAC 1min
	Between open contact ≥1200VAC 1min
Operate / Release time	≤40ms/25ms
Terminal type	Screw mounting

Coil specification

Rated coil power	DC3.0 W AC4VA
------------------	---------------

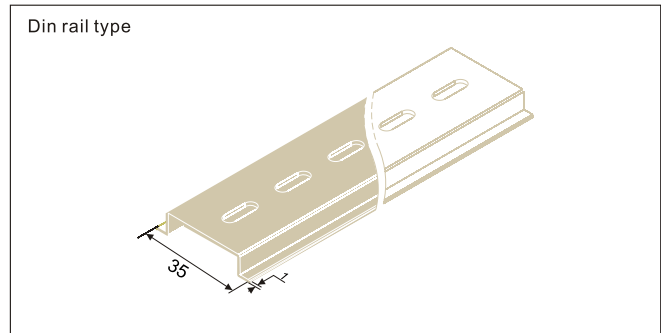


DC Coil data

Nominal voltage	Operate voltage	Release voltage	Coil resistance
VDC	VDC	VDC	Ω ± 10%
6	4.8	0.6	18
12	9.6	1.2	70
24	19.2	2.4	290
48	38.4	4.8	1152
60	48.0	6.0	1800
110	88.0	11.0	6000

AC Coil data

Nominal voltage	Operate voltage	Release voltage	Coil resistance
VAC	VAC	VAC	Ω ± 10%
6	4.8	1.8	9
12	9.6	3.6	36
24	19.2	7.2	144
48	38.4	14.4	576
110	88.0	36.0	3025
220/240	176.0	72.0	12000/14400



Outline dimension、Mounting holes (Bottom view)、Wiring diagram (Bottom view)

JQX-82F 1Z Outline dimension	Mounting holes (Bottom view)	JQX-82F 1Z Wiring diagram (Bottom view)