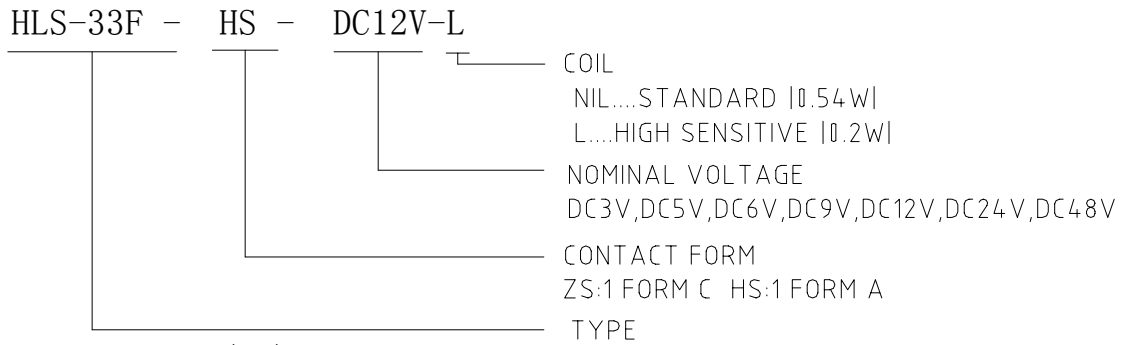




## ORDERING CODE



Outline Dimension (mm)

## CONTACT DATA

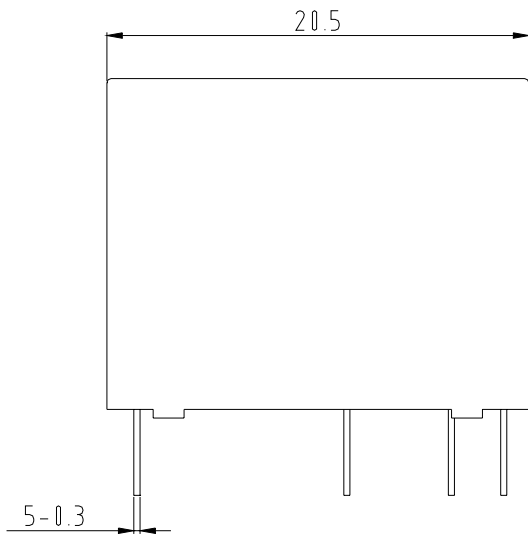
Contact Form	1A 1C	
Contact Material	Ag Alloy	
Contact Ratings	10A 125VAC/5A 250VAC/30VDC	
Max Switching Voltage	250VAC 30VDC	
Max Switching Current	10A	
Max Switching Power	1250VAC 150W	
Initial Contact Resistance	100mΩ Max	at 6VDC 1A
Life Expectancy Electrical	100,000	Operations (rated load)
Life Expectancy Mechanical	10,000,000	Operations (no load)

## GENERAL DATA

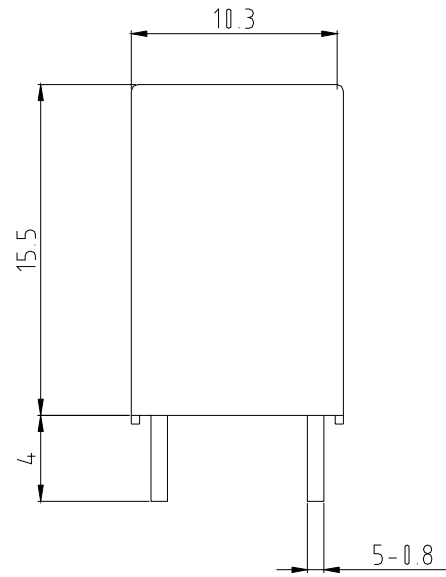
Insulation Resistance	1000MΩ min at 500VDC
Dielectric Strength Between Open Contacts	1000VAC 50-60HZ (1 minute)
Dielectric Strength Between Contacts And Coil	4000VAC 50-60HZ (1 minute)
Operate Time	8ms max
Release Time	5ms max
Ambient Temperature	-40°C to +70°C
Shock Resistance	10G
Vibration Resistance	10-55Hz, 1.5mm double amplitude
Ambient humidity	40-85% RH
Weight	Approx 7g
Safety Standard	CQC

## COIL DATA

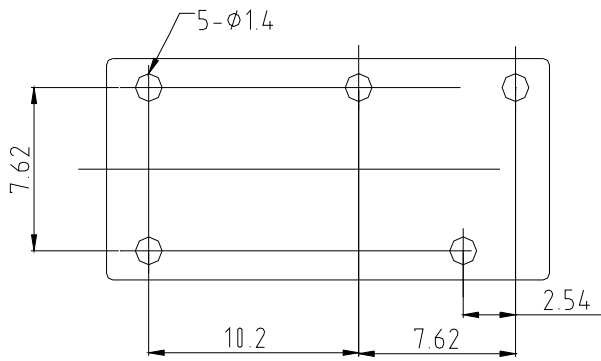
Rated Voltage (VDC)	Coil Resistance Ω (±10%)		Max Operate Voltage (VDC)	Min Release Voltage (VDC)	Max Applied Voltage (VDC)
	0.2W	0.45W			
3	45	20	2.25	0.15	3.9
5	125	55	3.75	0.25	6.5
6	180	80	4.5	0.3	7.8
9	405	180	6.75	0.45	11.7
12	720	320	9	0.6	15.6
24	2880	1280	18	1.2	31.2
48	11520	5120	36	2.4	62.4



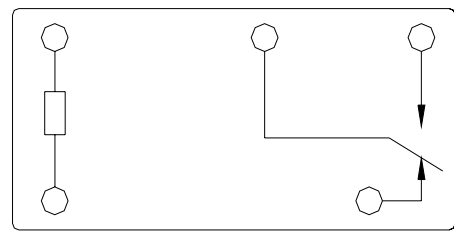
PC Board layout



Wiring Diagram



(Bottom View)



(Bottom View)