



CQC03001007770
CQC03001007771
CQC03001007772



ORDERING CODE 订购代码

HLS-T91 (16F)-2 - DC12V - C

CONTACT FORM
A:1 FORM A B:1FORM B C:1 FORM C
NOMINAL VOLTAGE
DC3V,DC5V,DC6V,DC9V,DC12V,DC24V,DC48V
TYPE

CONTACT DATA 触点参数:

Contact Form	触点形式	1A /1B /1C
Contact Material	触点材料	Ag Alloy
Contact Ratings	触点负载	1A:30A240VAC/20A 28VDC 1B:15A 240VAC/10A 28VDC 1C:20A/10A240VAC/28VDC
Max Switching Voltage	最大转换电压	250VAC/30VDC
Max Switching Current	最大转换电流	30A
Max Switching Power	最大转换功率	6000VA/560W
Initial Contact Resistance	接触电阻 (首次)	100m Ω Max at6VDC 1A
Life Expectancy Electrical	电气寿命	100,000 Operations (rated load)
Life Expectancy Mechanical	机械寿命	10,000,000 Operations (no load)

GENERAL DATA 一般参数:

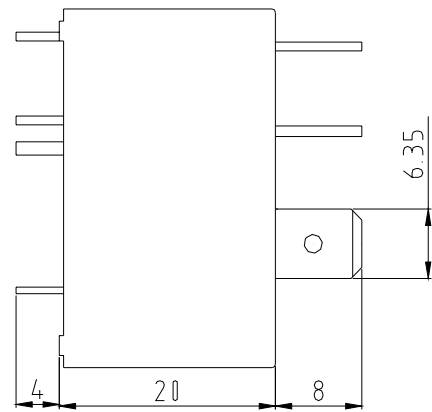
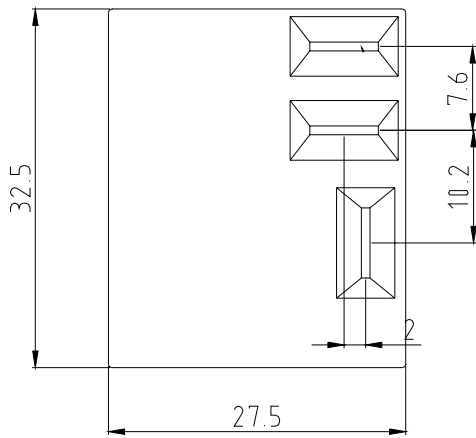
Insulation Resistance	绝缘阻值	100M Ω Min at500VDC	
Dielectric Strength Between Open Contacts	触点间耐压	1500VAC 50-60HZ (1 minute)	
Dielectric Strength Between Contacts And Coil	触点与线圈间耐压	2000VAC 50-60HZ (1 minute)	
Operate Time	吸合时间	15ms max	
Release Time	释放时间	10ms max	
Ambient Temperature	环境温度	-40°C to+85°C	
Shock Resistance 冲击	Malfunction	动作极限	10G
	Destruction	破坏极限	20G
Vibration Resistance	振动	10-55Hz,1.5mm double amplitude	
Ambient humidity	湿度	40-85% RH	
Weight	重量	Approx 32g	
Safety Standard	安全标准	UL CQC	

COIL DATA 线圈参数: (@20°C)

Rated Voltage 额定电压 (VDC)	Coil Resistance Ω (±10%) 线圈阻值	Max Operate Voltage 最大吸合电压 (VDC)	Min Release Voltage 最小释放电压 (VDC)	Max Applied Voltage 最大允许电压 (VDC)
3	9.7	2.25	0.15	3.9

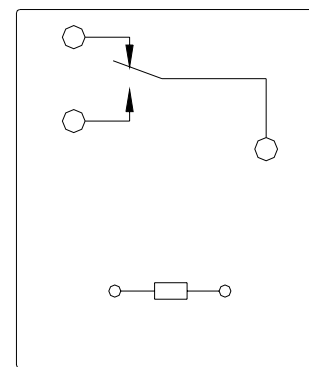
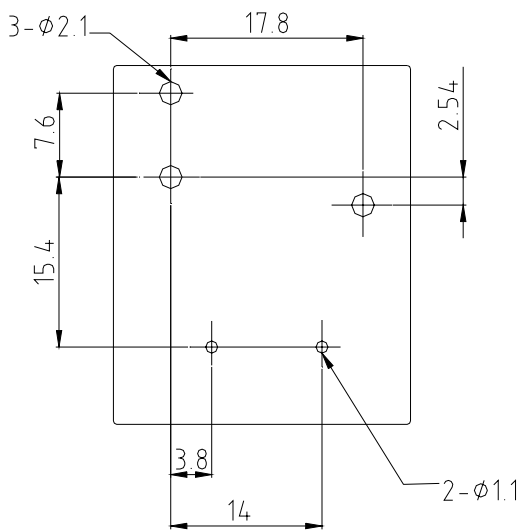
5	26.9	3.75	0.25	6.5
6	38.8	4.5	0.3	7.8
9	87.1	6.75	0.45	11.7
12	154.9	9	0.6	15.6
24	619.4	18	1.2	31.2
48	2477.5	36	2.8	62.4

Outline Dimension 外形尺寸(mm)



PC Board layout 安装图

Wiring Diagram 接线图



(Bottom View)底视

(Bottom View)底视