

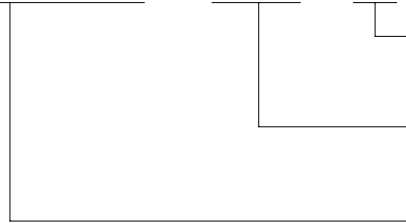


CQC
CQC03001007770
CQC03001007771
CQC03001007772



ORDERING CODE 订购代码

HLS-T91(16F)-1 - DC12V - C



CONTACT FORM

A:1 FORM A B:1FORM B C:1 FORM C

NOMINAL VOLTAGE

DC3V,DC5V,DC6V,DC9V,DC12V,DC24V,DC48V

TYPE

CONTACT DATA

| | | |
|----------------------------|--|-------------------------|
| Contact Form | 1A /1B /1C | |
| Contact Material | Ag Alloy | |
| Contact Ratings | 1A:30A240VAC/20A 28VDC 1B:15A 240VAC/10A 28VDC 1C:20A/10A240VAC/28VDC | |
| Max Switching Voltage | 250VAC/30VDC | |
| Max Switching Current | 30A | |
| Max Switching Power | 6000VA/560W | |
| Initial Contact Resistance | 100m Ω Max | at6VDC 1A |
| Life Expectancy Electrical | 100,000 | Operations (rated load) |
| Life Expectancy Mechanical | 10,000,000 | Operations (no load) |

GENERAL DATA

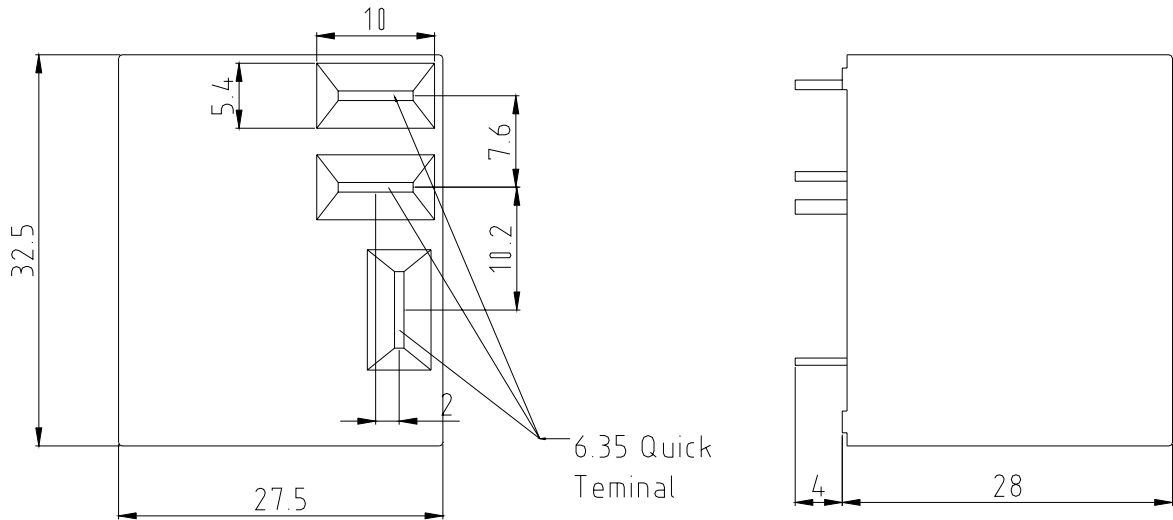
| | | |
|---|-------------------------------------|-----|
| Insulation Resistance | 100M Ω Min at500VDC | |
| Dielectric Strength Between Open Contacts | 1500VAC 50-60HZ (1 minute) | |
| Dielectric Strength Between Contacts And Coil | 2000VAC 50-60HZ (1 minute) | |
| Operate Time | 15ms max | |
| Release Time | 10ms max | |
| Ambient Temperature | -40 $^{\circ}$ C to+85 $^{\circ}$ C | |
| Shock Resistance | Malfunction | 10G |
| | Destruction | 20G |
| Vibration Resistance | 10-55Hz,1.5mm double amplitude | |
| Ambient humidity | 40-85% RH | |
| Weight | Approx 32g | |
| Safety Standard | UL CQC | |

COIL DATA

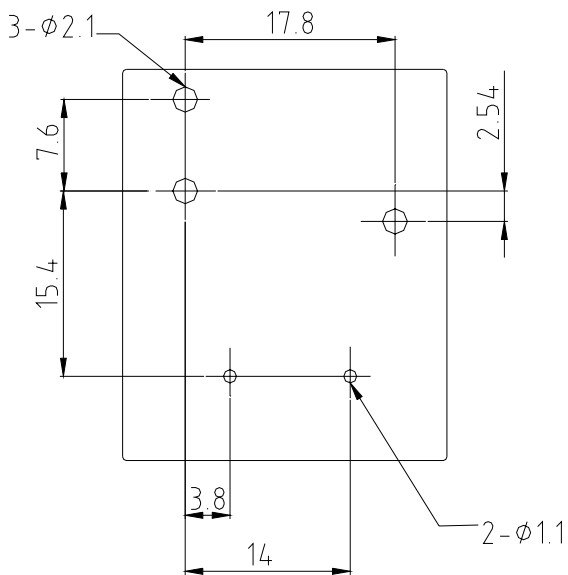
| Rated Voltage (VDC) | Coil Resistance Ω ($\pm 10\%$) | Max Operate Voltage (VDC) | Min Release Voltage (VDC) | Max Applied Voltage (VDC) |
|------------------------|---|------------------------------|------------------------------|------------------------------|
| | 0.93W | | | |
| 3 | 9.7 | 2.25 | 0.15 | 3.9 |
| 5 | 26.9 | 3.75 | 0.25 | 6.5 |

| | | | | |
|----|--------|------|------|------|
| 6 | 38.8 | 4.5 | 0.3 | 7.8 |
| 9 | 87.1 | 6.75 | 0.45 | 11.7 |
| 12 | 154.9 | 9 | 0.6 | 15.6 |
| 24 | 619.4 | 18 | 1.2 | 31.2 |
| 48 | 2477.5 | 36 | 2.8 | 62.4 |

Outline Dimension (mm)

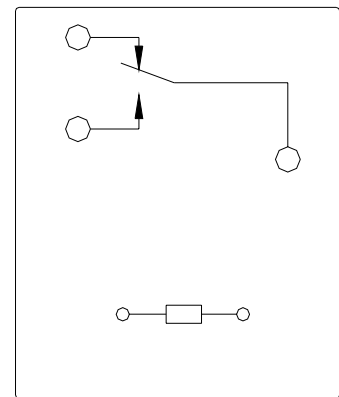


PC Board layout



(Bottom View)

Wiring Diagram



(Bottom View)