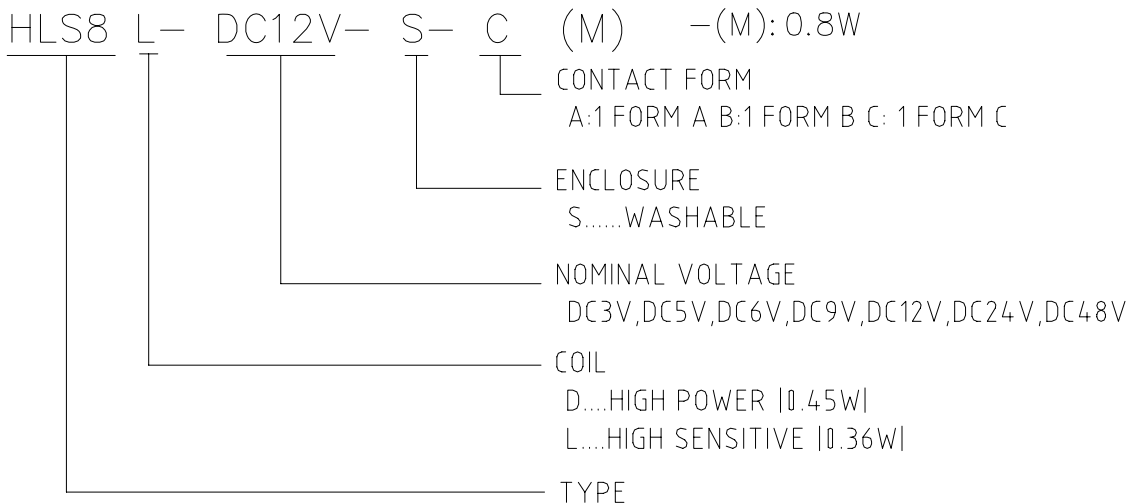


ORDERING CODE



CONTACT DATA

Contact Form	1A/1B/1C	
Contact Material	Ag Alloy	
Contact Ratings	7A 250VAC/30VDC 10A 250VAC/30VDC 15A 120VAC	
Max Switching Voltage	250VAC/30VDC	
Max Switching Current	15A	
Max Switching Power	2770VA/240W	
Initial Contact Resistance	50m Ω Max	at6VDC 1A
Life Expectancy Electrical	100,000	Operations (rated load)
Life Expectancy Mechanical	10,000,000	Operations (no load)

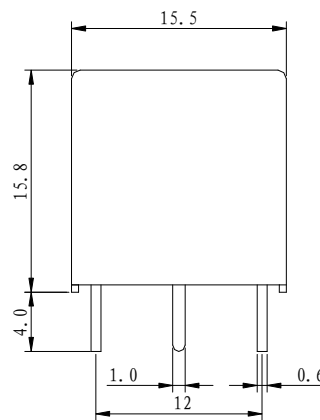
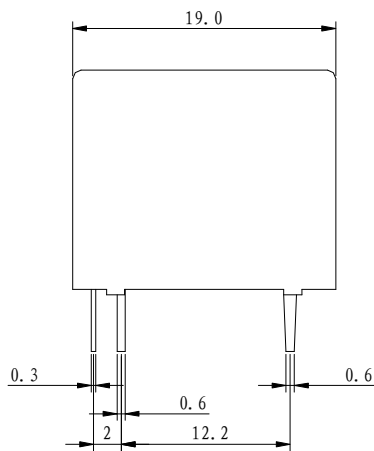
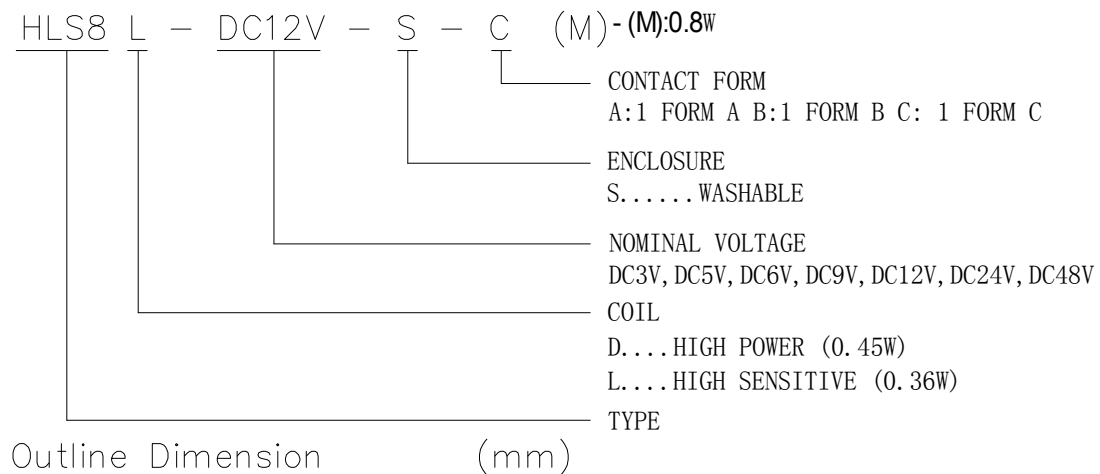
GENERAL DATA

Insulation Resistance	100M Ω min at500VDC	
Dielectric Strength Between Open Contacts	750VAC 50-60HZ (1 minute)	
Dielectric Strength Between Contacts And Coil	1500VAC 50-60HZ (1 minute)	
Operate Time	10ms max	
Release Time	5ms max	
Ambient Temperature	-40°C to +85°C	
Shock Resistance	Malfunction	10G
	Destruction	100G
Vibration Resistance	10-55Hz, 1.5mm double amplitude	
Ambient humidity	40-85% RH	
Weight	Approx 10g	
Safety Standard	UL TUV CE CQC	

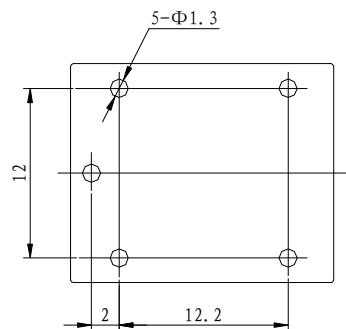
COIL DATA

Rated Voltage (VDC)	Coil Resistance Ω ($\pm 10\%$)		Max Operate Voltage (VDC)	Min Release Voltage (VDC)	Max Applied Voltage (VDC)
	0.36W	0.45W			
3	25	20	2.25	0.15	3.9
5	70	55	3.75	0.25	6.5
6	100	80	4.5	0.3	7.8
9	225	180	6.75	0.45	11.7
12	400	320	9	0.6	15.6
24	1600	1280	18	1.2	31.2
48	6400 $\pm 15\%$	5120 $\pm 15\%$	36	2.4	62.4

ORDERING CODE

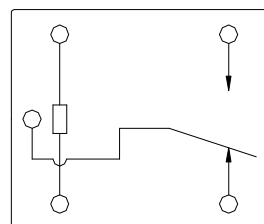


PC Board layout



(Bottom View)

Wiring Diagram



(Bottom View)