

# HF46F

## SUBMINIATURE INTERMEDIATE POWER RELAY



File No.: E134517



File No.: 40025215



File No.: CQC08001024932



### Features

- 5A switching capability
- 10kV impulse withstand voltage (between coil and contacts)
- Type 2 meets VDE 0700, 0631 reinforce insulation
- Highly efficient magnetic circuit for high sensitivity: 200mW
- Extremely small footprint utilizing PCB area
- Class F & Class B insulation system
- Environmental friendly product (RoHS compliant)
- Outline Dimensions: (20.5 x 7.2 x 15.3) mm

### CONTACT DATA

Contact arrangement	1A
Contact resistance	100mΩ max. (at 1A 24VDC)
Contact material	AgSnO <sub>2</sub> , AgNi
Contact rating (Res. load)	3A/5A 250VAC / 30VDC
Max. switching voltage	277VAC / 30VDC
Max. switching current	5A
Max. switching power	1385VA / 150W
Mechanical endurance	5 x 10 <sup>6</sup> OPS
Electrical endurance	1.2 x 10 <sup>5</sup> OPS (See approval reports for more details)

### CHARACTERISTICS

Insulation resistance	1000MΩ (at 500VDC)	
Dielectric strength	Between coil & contacts	4000VAC 1min
	Between open contacts	1000VAC 1min
Surge voltage (between coil & contacts)	10kV (1.2 x 50μs)	
Operate time (at nomi. volt.)	10ms max.	
Release time (at nomi. volt.)	10ms max.	
Shock resistance	Functional	98m/s <sup>2</sup>
	Destructive	980m/s <sup>2</sup>
Vibration resistance <sup>1)</sup>	10Hz to 55Hz 1.5mm DA	
Humidity	98%, 40°C	
Ambient temperature	-40°C to 85°C	
Termination	PCB	
Unit weight	Approx. 3g	
Construction	Flux proofed, Plastic sealed	

**Notes:** 1) Index is not that of relay length direction. The characteristics of relay length direction is only 10Hz to 55Hz 1mm DA.  
2) The data shown above are initial values.

### COIL

Coil power	Approx. 200mW
------------	---------------

### COIL DATA

at 23°C

Nominal Voltage VDC	Pick-up Voltage VDC max.	Drop-out Voltage VDC min.	Max. Allowable Voltage VDC	Coil Resistance Ω
3	2.25	0.18	3.90	45 x (1±10%)
5	3.75	0.25	6.50	125 x (1±10%)
6	4.50	0.30	7.80	180 x (1±10%)
9	6.75	0.45	11.7	405 x (1±10%)
12	9.00	0.60	15.6	720 x (1±10%)
18	13.5	0.90	23.4	1620 x (1±10%)
24	18.0	1.20	31.2	2880 x (1±10%)

### SAFETY APPROVAL RATINGS

UL/CUL	AgNi	5A 125VAC/250VAC at 85°C 5A 277VAC/30VDC at 85°C 3A 125VAC/250VAC at 85°C 3A 277VAC/30VDC at 85°C
UL/CUL	AgSnO <sub>2</sub>	5A 125VAC/250VAC at 85°C 5A 277VAC/30VDC at 85°C 3A 125VAC/250VAC at 85°C 3A 277VAC/30VDC at 85°C B300 R300
	AgNi	5A 250VAC/30VDC at 85°C
VDE	AgNi	5A 250VAC/30VDC at 85°C
	AgSnO <sub>2</sub>	5A 250VAC/30VDC at 85°C

**Notes:** 1) Only some typical ratings are listed above. If more details are required, please contact us.



HONGFA RELAY

ISO9001, ISO/TS16949, ISO14001, OHSAS18001, IECQ QC 080000 CERTIFIED

2011 Rev. 1.01

## ORDERING INFORMATION

Type	HF46F / 12 -H S 1 T G F (XXX)					
Coil voltage	3, 5, 6, 9, 12, 18, 24VDC					
Contact arrangement	H: 1 Form A					
Construction <sup>1)</sup>	S: Plastic sealed		Nil: Flux proofed			
Termination	1: type 1		2: type 2			
Contact material <sup>2)</sup>	T: AgSnO <sub>2</sub>		Nil: AgNi			
Contact plating	G: Gold plated		Nil: No gold plated			
Insulation standard	F: Class F		Nil: Class B			
Customer special code						

**Notes:** 1) Under the ambience with dangerous gas like H<sub>2</sub>S, SO<sub>2</sub> or NO<sub>2</sub>, plastic sealed type is recommended; please test the relay in real applications. If the ambience allows, flux proofed is preferentially recommended.

If water cleaning is required after the relay is assembled on PCB, please contact us for suggestion about suitable parts.

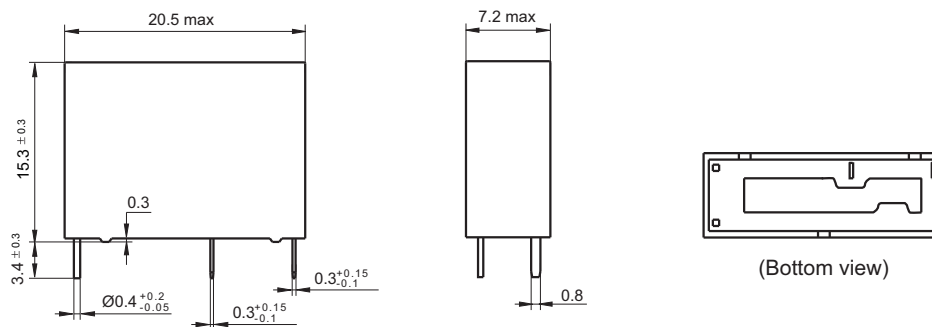
2) For the application of lamp (except LED), capacitive load, motor load or which can bring high inrush current when relay contacts connect instantly, AgSnO<sub>2</sub> contact material is recommended on priority.

## OUTLINE DIMENSIONS, WIRING DIAGRAM AND PCB BOARD LAYOUT

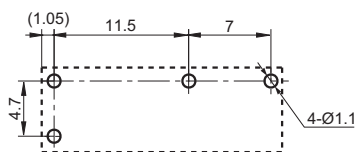
Unit: mm

### Outline Dimensions

HF46F/□□-H□1□□ (□□□)



PCB Layout  
(Bottom view)



Wiring Diagram  
(Bottom view)

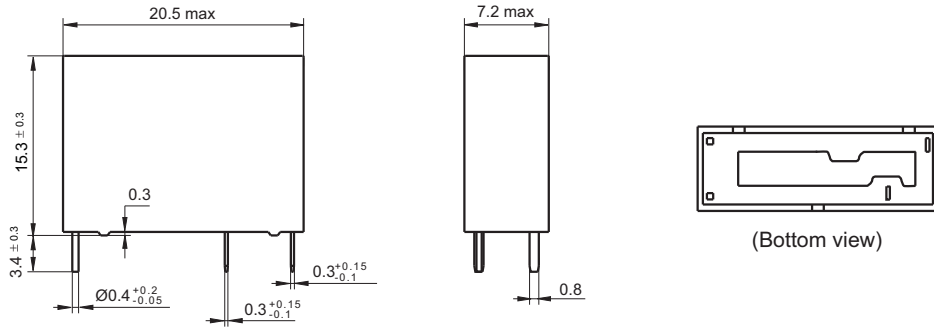


# OUTLINE DIMENSIONS, WIRING DIAGRAM AND PC BOARD LAYOUT

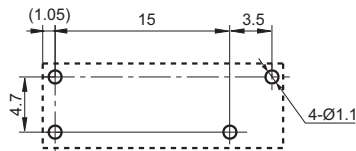
Unit: mm

## Outline Dimensions

HF46F/□□-H□2□□ (□□□)



## PCB Layout (Bottom view)



## Wiring Diagram (Bottom view)



- Remark: 1) In case of no tolerance shown in outline dimension: outline dimension  $\leq 1\text{mm}$ , tolerance should be  $\pm 0.2\text{mm}$ ; outline dimension  $> 1\text{mm}$  and  $\leq 5\text{mm}$ , tolerance should be  $\pm 0.3\text{mm}$ ; outline dimension  $> 5\text{mm}$ , tolerance should be  $\pm 0.4\text{mm}$ .  
 2) The tolerance without indicating for PCB layout is always  $\pm 0.1\text{mm}$ .

## CHARACTERISTIC CURVES

### ENDURANCE CURVE

