



R30



- High switching capacity up to 30 A
- For PCB
- Available also with sealed cover (standard with no sealing)
- Applications: internal applications, heating systems, ventilation, automotive electric systems, other electric applications
- Recognitions, certifications, directives: RoHS,  

Contact data

Number and type of contacts	1 C/O, 1 NO	
Contact material	AgSnO₂	
Rated / max. switching voltage	AC	240 V / 250 V
Min. switching voltage	10 V	
Rated load	AC1	1 C/O: 20 A / 10 A (NO/NC) / 240 V AC
	DC1	1 C/O: 20 A / 10 A (NO/NC) / 30 V DC
		1 NO: 30 A / 240 V AC 1 NO: 30 A / 30 V DC
Min. switching current	10 mA	
Rated current	1 C/O: 20 A / 10 A (NO/NC)	
Max. breaking capacity	AC1	1 C/O: 4 800 VA
	AC3	0,5 HP 240 V AC
		1 NO: 7 200 VA 0,5 HP 240 V AC
Min. breaking capacity	0,1 W	
Contact resistance	≤ 100 mΩ	

Coil data

Rated voltage	DC	12 ... 24 V
Must release voltage	DC: ≥ 0,05 U _n	
Operating range of supply voltage	see Table 1	
Must operate voltage	≤ 0,8 U _n	
Rated power consumption	DC	1,0 W

Insulation according to PN-EN 60664-1

Insulation rated voltage	250 V AC	
Overvoltage category	II	
Flammability degree	V-0 UL94	
Insulation resistance	> 100 MΩ 500 V DC, 60 s	
Dielectric strength	• between coil and contacts	1 500 V AC type of insulation: basic
	• contact clearance	1 500 V AC type of clearance: micro-disconnection

General data

Operating / release time (typical values)	15 ms / 10 ms	
Electrical life		
• resistive AC1	1 200 cycles/hour	10 ⁵ 1 C/O: 20 A / 10 A (NO/NC), 240 V AC
		1 NO: 30 A, 240 V AC
Mechanical life (cycles)	> 10 ⁷	
Dimensions (L x W x H)	32,2 x 27,5 x 20,5 mm	
Weight	22 g	
Ambient temperature	• operating	-30...+55 °C
Cover protection category	IP 64 PN-EN 60529	
Shock resistance	5 g	
Vibration resistance	1,5 mm DA (constant amplitude) 10...55 Hz	

The data in bold type pertain to the standard versions of the relays.

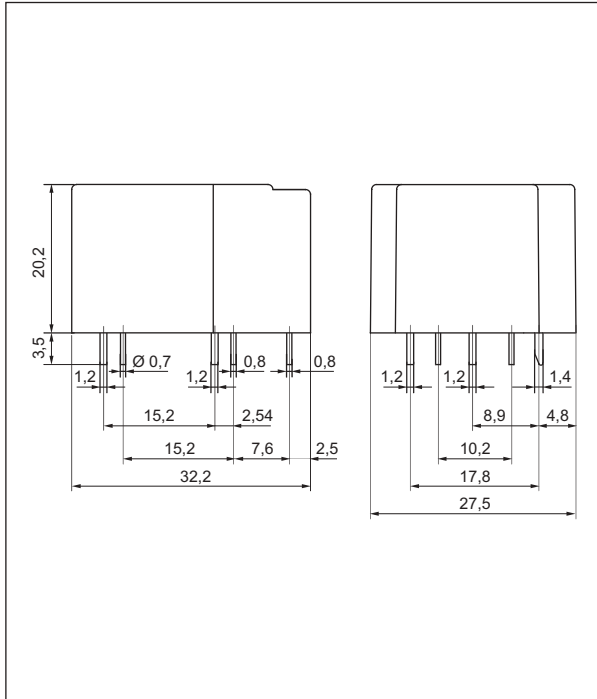
R30

Coil data - DC voltage version

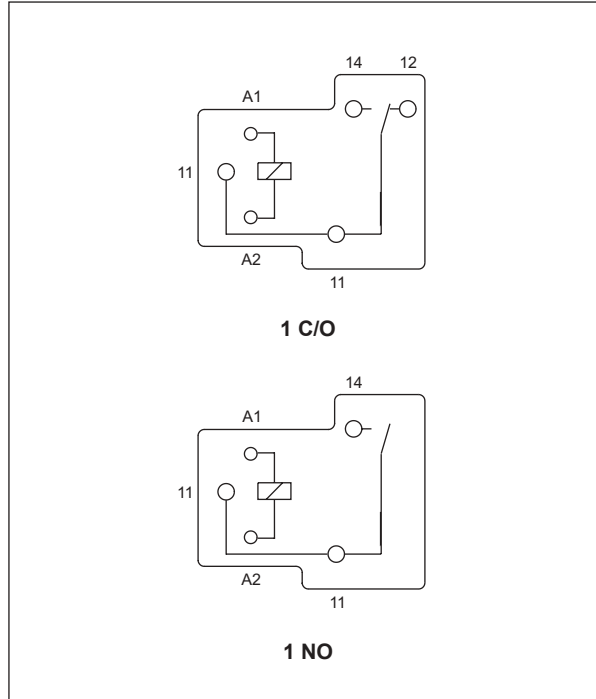
Table 1

Coil code	Rated voltage V DC	Coil resistance ± 10% at 20°C Ω	Coil operating range at 20°C V DC		Power consumption W
			min.	max.	
1012	12	155	9,6	18	1,0
1024	24	660	19,2	36	1,0

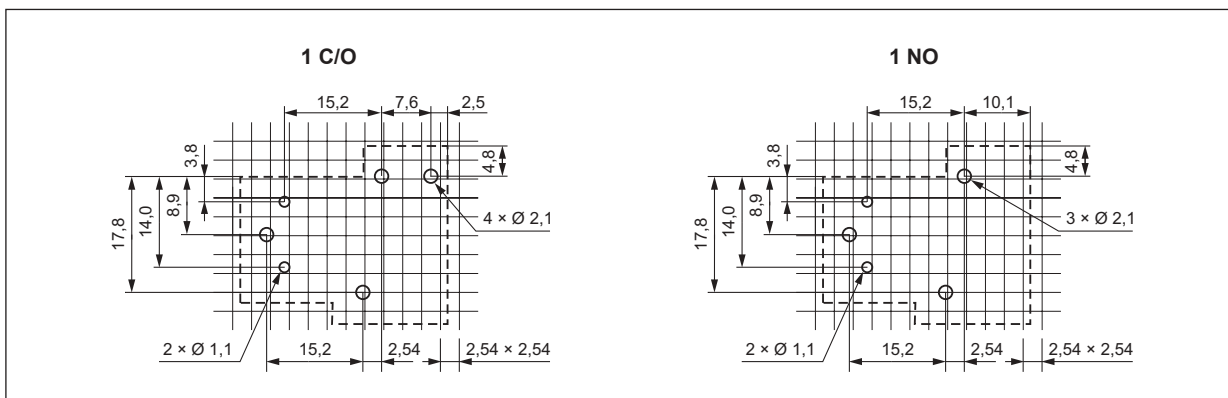
Dimensions



Connection diagrams (pin side view)



Pinout (solder side view)

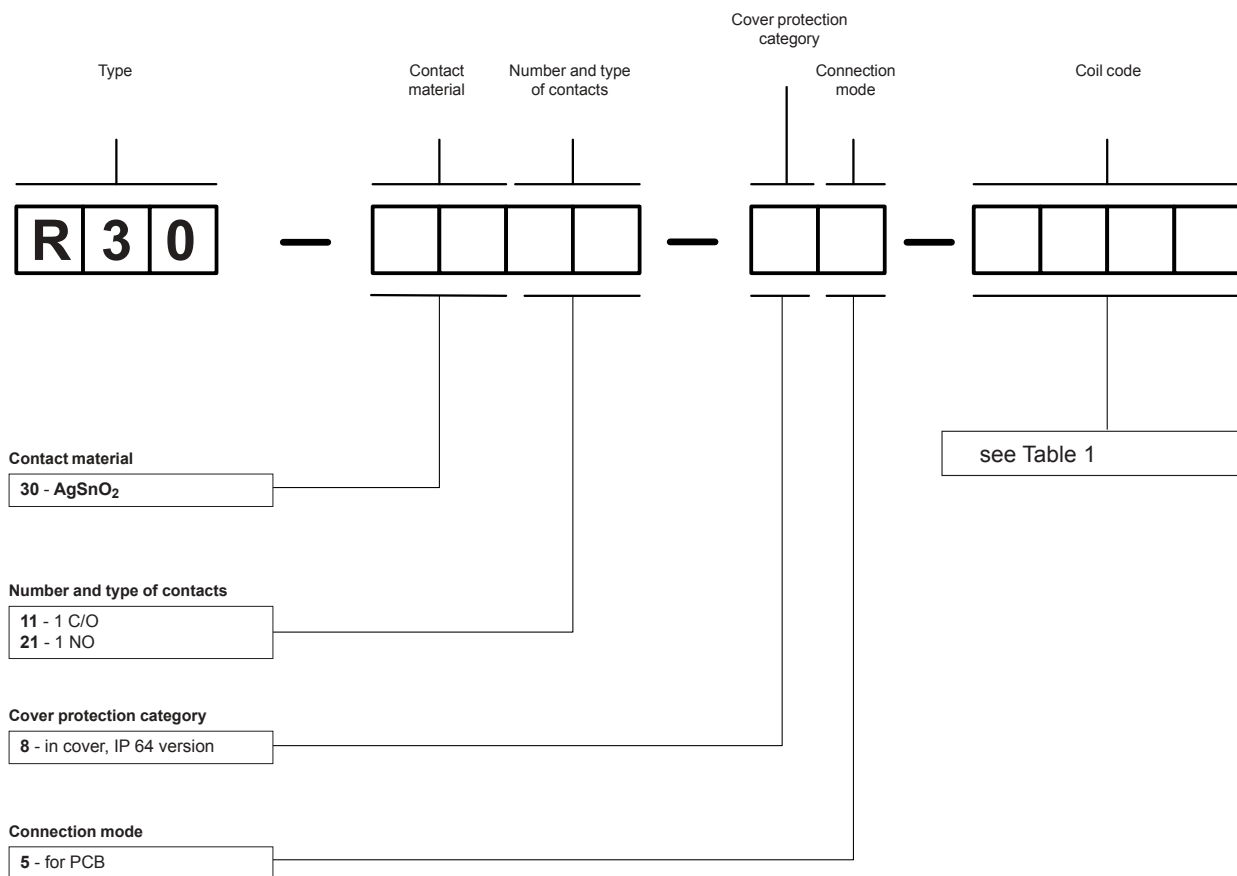


R30

Mounting

Relays **R30** are designed for direct PCB mounting.

Ordering codes



Examples of ordering codes:

R30-3011-85-1012 relay **R30**, contact material AgSnO₂, with one changeover contact, in cover IP 64, for PCB, voltage version 12 V DC

R30-3021-85-1024 relay **R30**, contact material AgSnO₂, with one normally open contact, in cover IP 64, for PCB, voltage version 24 V DC