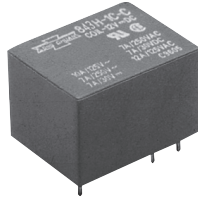


843



»» Features

- Miniature PCB Relays.
- 10A/120VAC, 5A/240VAC ratings.
- Special pinning layout with high dielectric strength 2000V between contact & coil.
- UL/CUL approval.
- Comply with RoHS-Directive 2002/95/EC, and ELV-Directive 2000/53/EC.

»» Type List

Terminal style	Contact form	Designation		
		Flux tight	Sealed type	Sealed type washable
PCB terminal	1A (SPNO)	843-1A-C	843-1A-V	843-1A-S
	1B (SPNC)	843-1B-C	843-1B-V	843-1B-S
	1C (SPDT)	843-1C-C	843-1C-V	843-1C-S

»» Ordering Information

843 - 1A - C
1 2 3

- | | |
|------------------------------------|---------------------------|
| 1. 843 -- Basic series designation | 3. C -- Flux tight |
| | V -- Sealed type |
| 2. 1A -- Single pole normally open | S -- Sealed type washable |
| 1B -- Single pole normally closed | |
| 1C -- Single pole double throw | |

»» Contact Rating

Resistive load	10A 120VAC , 10A 24VDC , 5A 240VAC
----------------	------------------------------------

»» Coil Rating (DC)

Rated voltage (V)	Rated current ±10 % at 23 °C (mA)	Coil resistance ±10 % at 23 °C (Ω)	Max. continuous voltage at 70 °C	Pick up voltage(Max) at 23 °C	Drop out voltage(Min) at 23 °C	Power consumption at rated voltage
3	150	20	150 % of rated voltage	75 % of rated voltage	10 % of rated voltage	approx. 0.45W
5	90	56				
6	75	80				
9	50	180				
12	37.5	320				
18	25	720				
24	18.8	1280				

»» Specification

Contact material	AgSnO alloy	
Contact resistance ⁽¹⁾	100mΩ Max.	
Operate time ⁽¹⁾	10ms Max.	
Release time ⁽¹⁾	5ms Max.	
Insulation resistance ⁽¹⁾	100MΩ Min. (DC 500V)	
Dielectric strength ⁽¹⁾	Between open contact	: AC 750V , 50/60Hz 1 min.
	Between contact and coil	: AC 2000V , 50/60Hz 1 min.
Vibration resistance	Operating extremes	10~50Hz , amplitude 1.5 mm
	Damage limits	10~50Hz , amplitude 1.5 mm
Shock resistance	Operating extremes	10G
	Damage limits	100G
Life expectancy	Mechanical	20,000,000 operations (frequency 18,000 operations/hr)
	Electrical	100,000 operations (frequency 1,800 operations/hr)
Operating ambient temperature	-30~+70 °C	
Weight	Approx. 10 g	

Note : (1) initial value

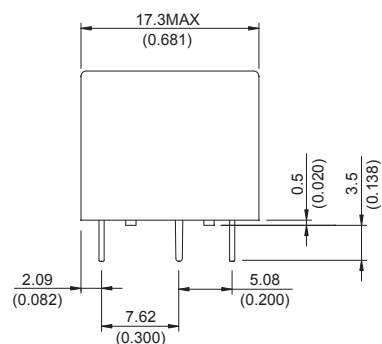
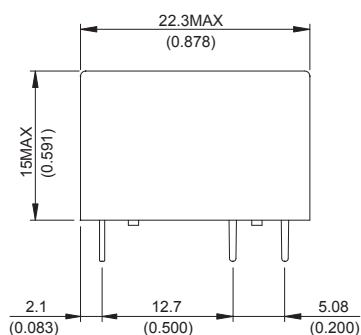
»» Safety Approval

Certified	UL / CUL
File No.	E88991

»» Safety Approval Rating

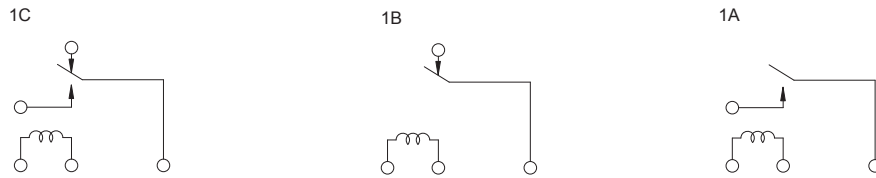
UL / CUL
10A 120VAC/24VDC , 5A 240VAC

»» Outline Dimensions

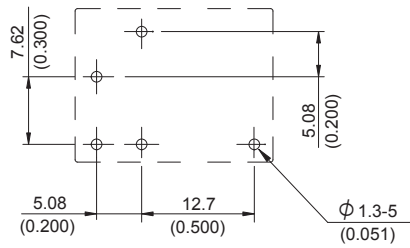


843

»» Wiring Diagram BOTTOM VIEW



»» PC Board Layout BOTTOM VIEW



»» Engineering Data

