

**HJQ-22F**

- 2 to 3 pole configurations
- Conform to RoHS,ELV directive



28×21.5×35

03001008347

E173485

203664

**ORDERING CODE**

<b>HJQ-22F</b> — <u>2Z</u> ( <u>P</u> ) — <u>F</u> — <u>D</u> / 12VDC					
1	2	3	4	5	6
1. Relay Model	2Z: Form 2C		3Z: Form 3C		4. With Flange for 38mm pitch hole
2.	3. P: PCB Type		Nil: B Type		5. With LED
			6. Coil Nominal Voltage		
			5,6,12,24,48,110VDC		
			6,12,24,48,110,120,220/240VAC		

**COIL DATA** at 20°C

Nominal Voltage (VDC)	5	6	12	24	48	110/120	220/240	0.9W
Coil Resistance (Ω)	28	40	160	640	2560	11000		
Rated Current (mA)	178.5	150	75	37.5	18.75	10		
Max Operate Voltage (VDC)	3.75	4.5	9	18	36	82.5		
Min Release Voltage (VDC)	0.5	0.6	1.2	2.4	4.8	11		
Nominal Voltage (VAC)		6	12	24	48	110/120	220/240	1.2VA
Coil Resistance (Ω)		11.5	46	184	735	4550	14400	
Max Operate Voltage (VAC)		4.8	9.6	19.2	38.4	88	176	
Min Release Voltage (VAC)		1.2	2.4	4.8	9.6	22	44	
Max Applicable Voltage	70		130%, 23		170%			
	5-24VDC/6-48VAC		10%, 48-110VDC/110-240VAC		15%.			

**CONTACT DATA**

Contact Form	2Z/3Z
Contact Material	Silver Alloy
Load	Resistive load(COS Φ=1)
Contact Ratings	7A 240VAC 7A 30VDC
Minimum load	100mA 5VDC
Max Switching Voltage	240VAC/30VDC
Max Switching Current	7A
Max Switching Power	1680VA/210W
Contact Resistance	100m Ω Max at 6VDC 1A
Life Expectancy	Electrical : 100, 000 Operations(at30Operations/minute)
	Mechanical : 10, 000, 000 Operations(at300Operations/minute)

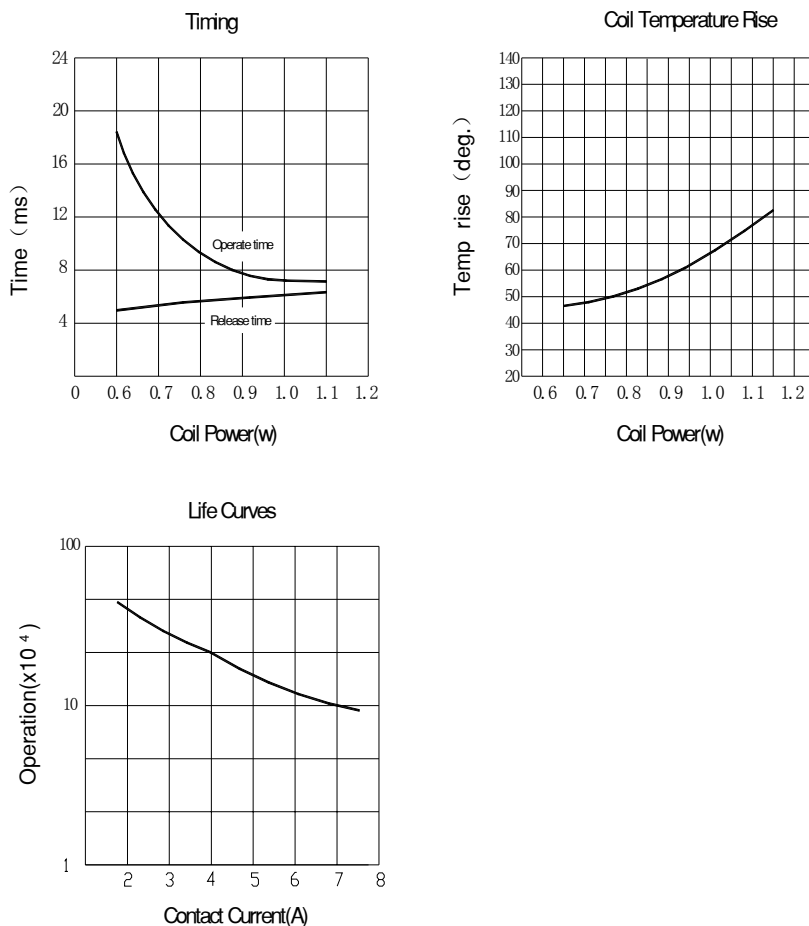
## ■ CHARACTERISTICS DATA

Insulation Resistance	100M $\Omega$ Min at 500VDC
Dielectric Strength Between Open Contacts	1000VAC(for one minute)
Between Contacts and coil	1500VAC(for one minute)
Operate Time	25ms
Release Time	25ms
Temperature Range	-40°C to +70°C
Shock Resistance	Operating Extremes : 20G
	Damage Limits : 100G
Vibration Resistance	10-55Hz, 1.5mm
Max. switching frequency	Mechanical: 18,000 operations/hr Electrical: 1,800 operations/hr
Humidity	40-85%
Weight	Approx 35g
Safety Standard	UL cUL CQC CSA

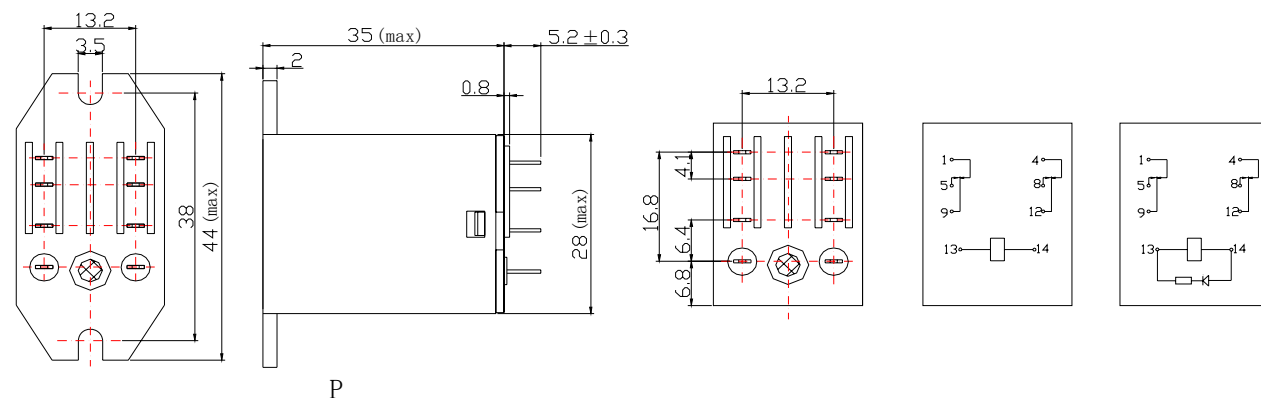
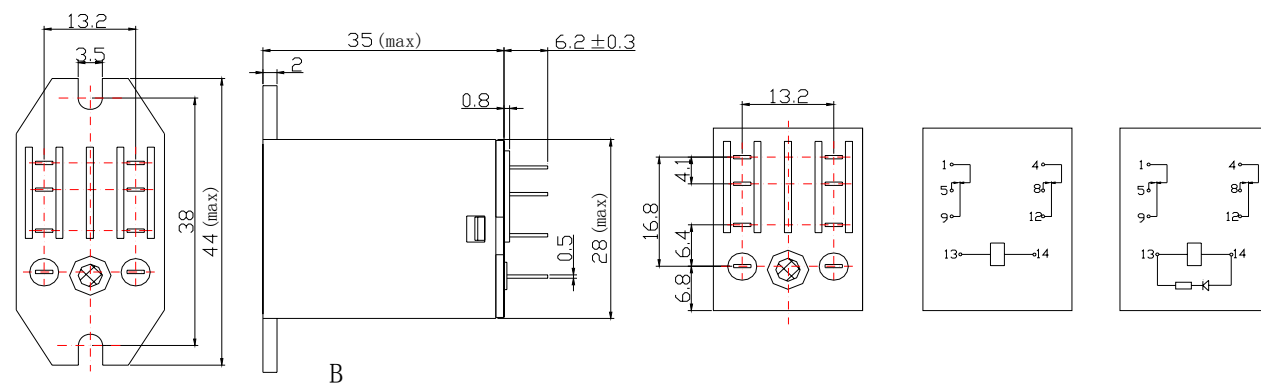
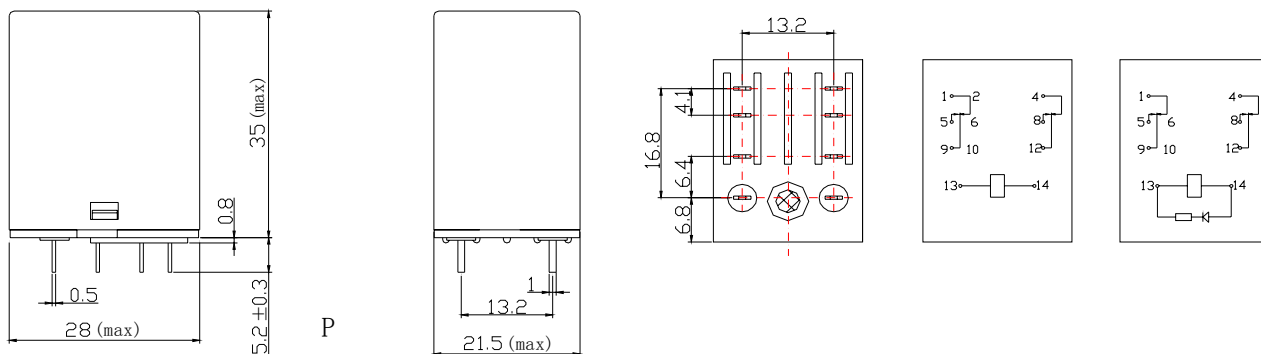
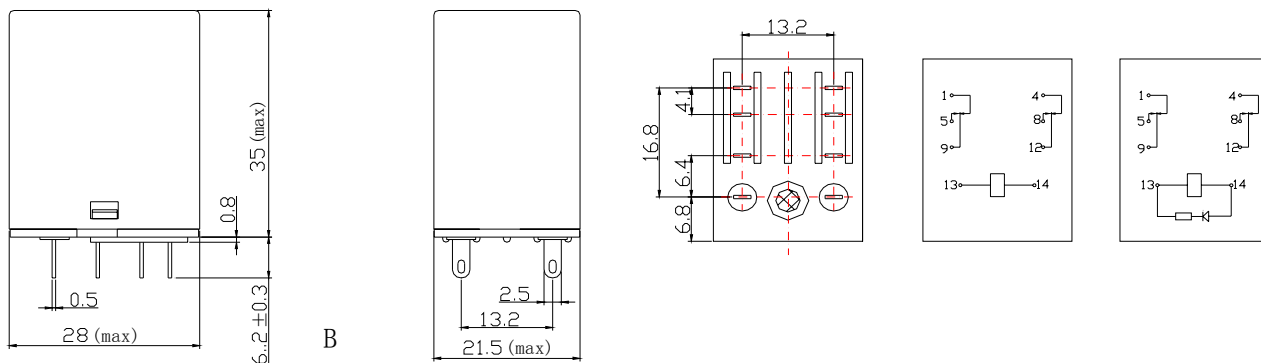
## ■ APPROVED STANDARDS

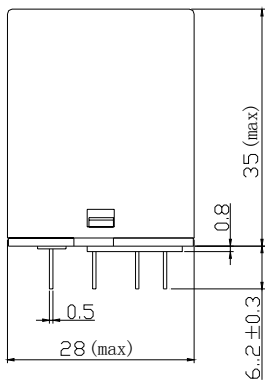
Model	Coiling rating	Safety Standard	Contact rating
HJQ-22F	12 to 110VDC	UL/cUL	7A 240VAC
	24 to 240VAC		7A 30VDC
	5 to 110VDC	CQC	5A 240VAC
	24 to 240VAC		5A 28VDC
	12 to 110VDC	CSA	5A 240VAC
	120 to 240VAC		5A 28VDC

## ■ ENGINEERING DATA

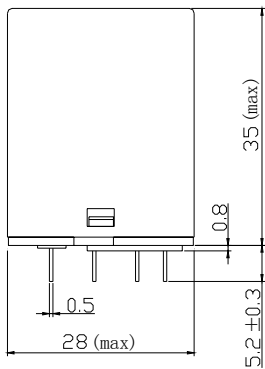
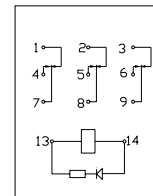
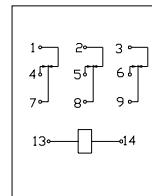
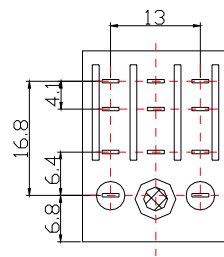
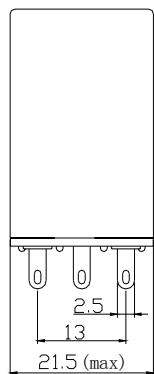


■ OVERALL AND MOUNTING DIMENSIONS

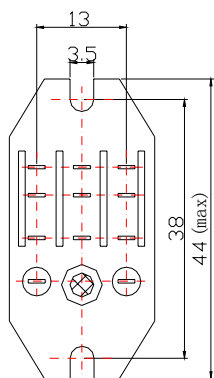
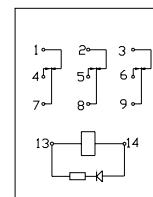
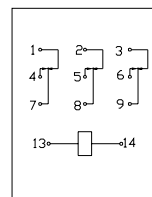
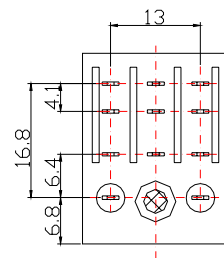
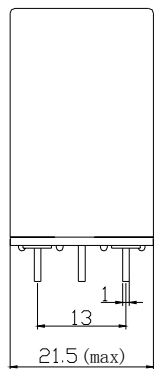




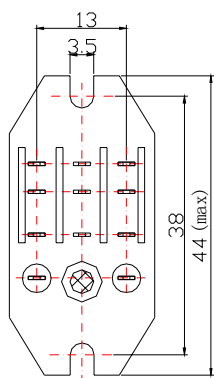
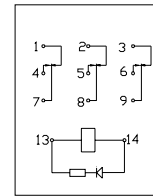
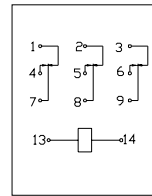
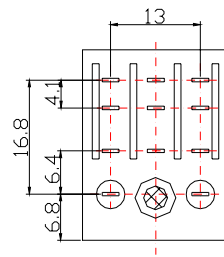
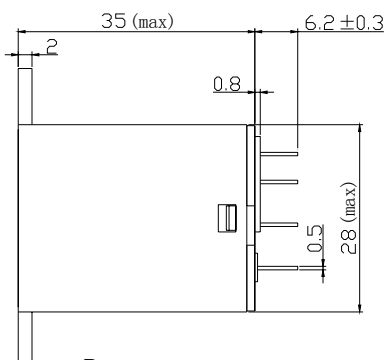
B



P



B



P

