

## HJR4102E

- Small size and low cost
- DIP standard terminals
- Surge Strength 1500V FCC68
- Sealed type available
- Conform to RoHS,ELV directive



10002048745

US E173485

R50056406

### ■ ORDERING CODE

HJR4102E D — 12VDC — S — Z

- |   |                         |                      |
|---|-------------------------|----------------------|
| 1. Relay Model                            | 3. Coil Nominal Voltage | 5.                   |
| 2. Coil Power<br>D=0.36W, L=0.2W, N=0.45W | 3,5,6,9,12,24,48VDC     | Z: Form C; H: Form A |
|   | 4. Sealed               |                      |

### ■ COIL DATA

Nominal Voltage (VDC)	3	5	6	9	12	24	48	
Coil Resistance ( $\Omega \pm 10\%$ )	25	69	100	225	400	1600	6400	0.36W
Rated Current (mA)	120	71.4	60	40	30	15	7.5	
Max Operate Voltage (VDC)	2.25	3.75	4.5	6.75	9	18	36	
Min Release Voltage (VDC)	0.3	0.5	0.6	0.9	1.2	2.4	4.8	
Coil Resistance ( $\Omega \pm 10\%$ )	20	56	80	180	320	1280	5120	0.45W
Rated Current (mA)	150	90	75	50	37.5	18.7	9	
Max Operate Voltage (VDC)	2.25	3.75	4.5	6.75	9	18	36	
Min Release Voltage (VDC)	0.3	0.5	0.6	0.9	1.2	2.4	4.8	
Coil Resistance ( $\Omega \pm 10\%$ )	45	125	180	105	720	2880		0.2W
Rated Current (mA)	66.7	40	33.3	22.2	16.7	8.3		
Max Operate Voltage (VDC)	2.25	3.75	4.5	6.75	9	18		
Min Release Voltage (VDC)	0.3	0.5	0.6	0.9	1.2	2.4		
Max Applicable Voltage	70	130%, 23			170%			

### ■ CONTACT DATA

Contact Form	1H/1Z
Contact Material	Silver Alloy
Load	Resistive load(COS $\Phi$ =1)
Contact Ratings	3A 120VAC/24VDC 1A250VAC(TUV)
Minimum load	1mA 5VDC
Max Switching Voltage	240VAC/60VDC
Max Switching Current	5A
Max Switching Power	360VA/90W
Contact Resistance	100m $\Omega$ Max at 6VDC 1A
Life Expectancy	Electrical : 100,000 Operations(at30Operations/minute)
	Mechanical : 10,000,000 Operations(at300Operations/minute)

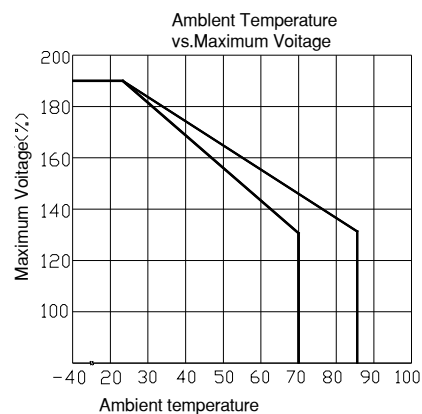
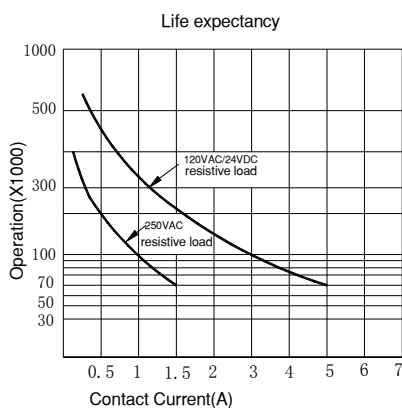
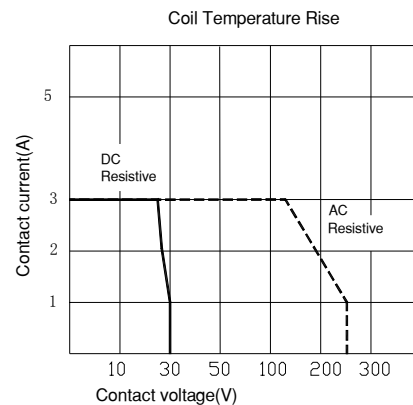
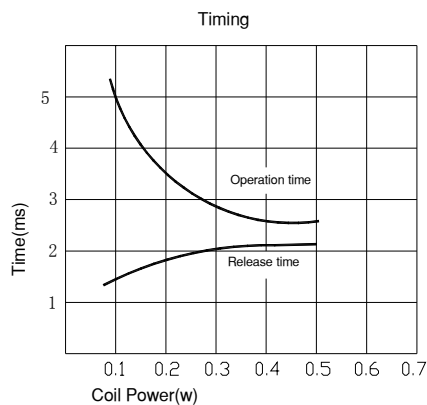
## ■ CHARACTERISTICS DATA

Insulation Resistance	100M $\Omega$ Min at 500VDC
Dielectric Strength Between Open Contacts	500VAC(for one minute)
Between Contacts and coil	1000VAC(for one minute) or 1500VAC(for one minute)
Operate Time	5ms
Release Time	5ms
Temperature Range	-30°C to +85°C
Shock Resistance	Operating Extremes : 10G
	Damage Limits : 50G
Vibration Resistance	10-55Hz, 1.5mm
Max. switching frequency	Mechanical: 18,000operations/hr
	Electrical: 1,800operations/hr
Humidity	40-85%
Weight	Approx 3.5g
Safety Standard	UL cUL TÜV CQC

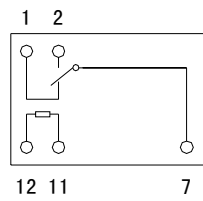
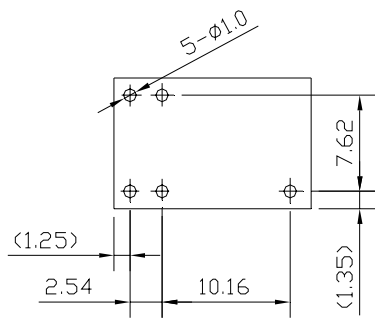
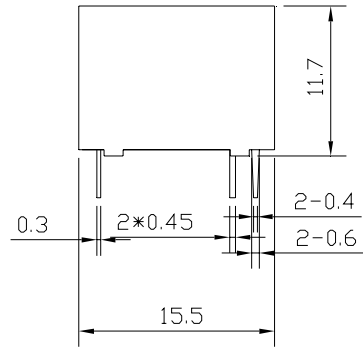
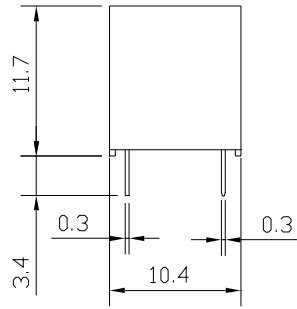
## ■ APPROVED STANDARDS

Model(	Coiling rating	Safety Standard	Contact rating
HJR4102E	3 to 48VDC	TÜV	3A 120VAC 3A 24VDC 1A 250VAC
		UL/cUL	3A 120VAC 3A 24VDC
		CQC	3A 120VAC 1A 250VAC

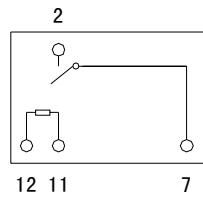
## ■ ENGINEERING DATA



■ OVERALL AND MOUNTING DIMENSIONS



FormC



FormA