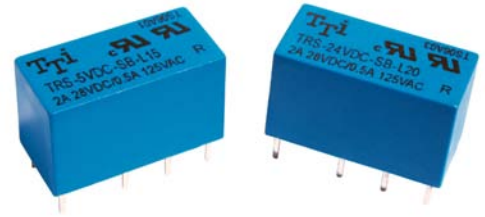


# TRS

## ➤ MAIN FEATURES

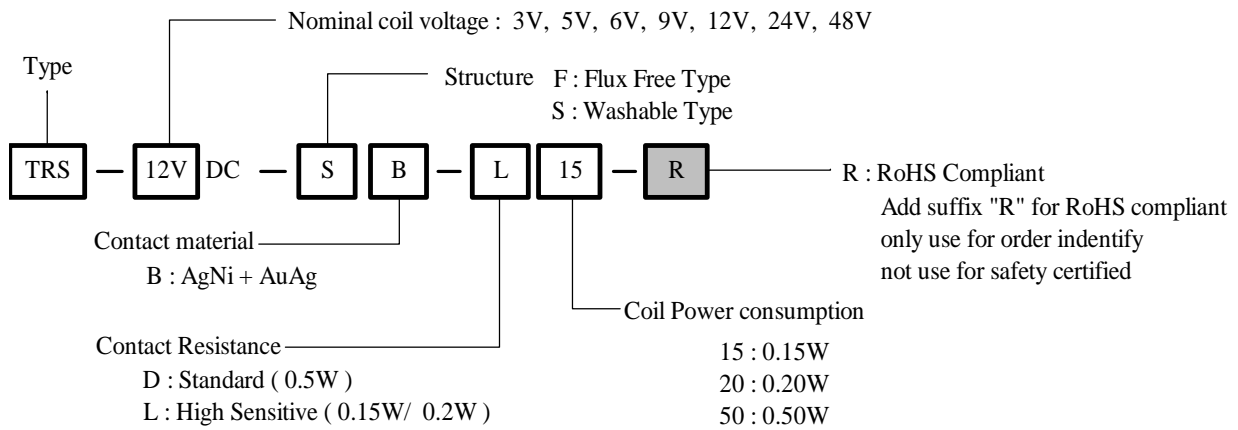
- 2 Form C (DPDT) bifurcated-cross-bar contacts.
- Gold Clad silver contact.
- Dip-2C type matching 16pin IC socket.
- Sealed type available.
- UL and CUL recognized.
- High sensitivity.
- Coil Power Consumption : 0.15 ~ 0.50W



## ➤ APPLICATIONS

- Telecommunication equipment, domestic appliances, office machines, audio equipment, etc.

## ➤ ORDERING INFORMATION

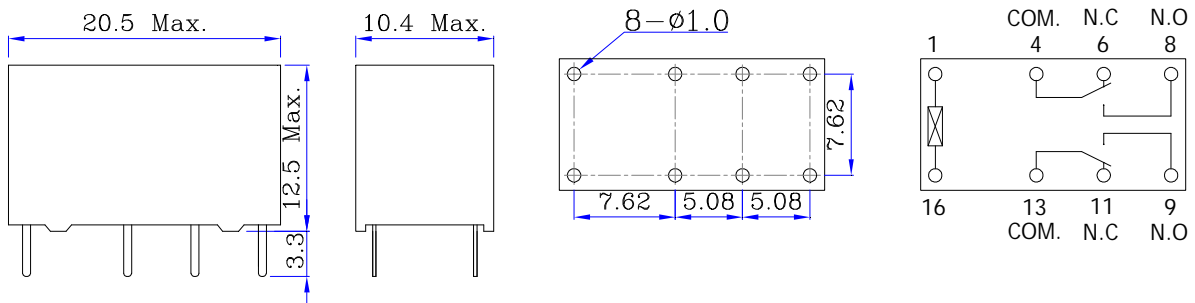


### ■ DIMENSION (unit:mm)

### ■ DRILLING (unit:mm)

### ■ WIRING DIAGRAM

(Bottom views)



Remark: 1. In case of no tolerance shown in dimension: ±0.5mm.  
2. The tolerance without indicating for DRILLING is always ±0.1mm.

## ➤ COIL DATA CHART(at 20°C)

Coil Sensitivity	Coil Voltage Code	Nominal Voltage (VDC)	Nominal Current (mA)	Coil Resistance $\pm 10\%(\Omega)$	Power Consumption (W)	Pull-In Voltage (VDC)	Drop-Out Voltage (VDC)	Max-Allowable Voltage (VDC)
TRS -L (High sensitivity)	3	3	43.5	69 $\pm$ 7 $\Omega$	abt. 0.15W	80% Max.	5% Min.	150%
	5	5	29.9	167				
	6	6	25.0	240				
	9	9	16.7	540				
	12	12	12.5	960	abt. 0.2W	80% Max.	5% Min.	150%
	3	3	66.7	45				
	5	5	40	125				
	6	6	33.3	180				
	9	9	22.2	405				
	12	12	16.7	720				
	24	24	8.3	2880				
TRS -D (Standard)	48	48	11.2	4300	abt. 0.5W	80% Max.	5% Min.	150%

## ➤ CONTACT RATING

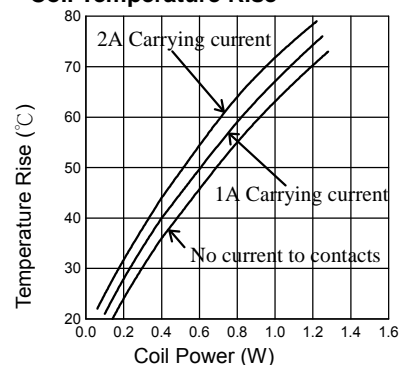
Item	Type	TRS
Contact Capacity		
Resistive Load ( $\cos\Phi=1$ )		0.5A 125VAC
Inductive Load ( $\cos\Phi = 0.4, L/R = 7\text{msec.}$ )		2A 28VDC
Rated Carrying Current		2A
Max. Allowable Voltage		125VAC, 28VDC
Max. Allowable Current		2A
Max. Allowable Power Force		62.5VA, 56W
Referenced Min. Applicable Load		100mVDC 0.1mA
Contact Material		AgPd + Au clad

## ➤ PERFORMANCE (at initial value)

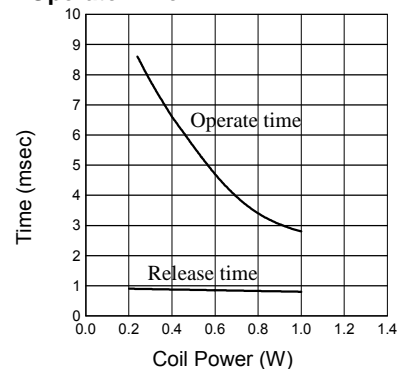
Item	Type	TRS
Contact Resistance		100m $\Omega$ Max.
Operation Time		8msec Max.
Release Time		5msec Max.
Dielectric Strength		
Between coil & contact		1000VAC 50/60Hz (1 minute)
Between contacts		500VAC 50/60Hz (1 minute)
Surge Resistiveness		1500V
Insulation Resistance		1000 M $\Omega$ Min. (500VDC)
Max. ON/OFF Switching		
Mechanically		300 operation/min
Electrically		30 operation/min
Operating Ambient Temperature		-30°C to +70°C (No water condensation and no water drop)
Operating Humidity		45 to 85% RH
Coil Temperature Rise		40 deg. Max. (at rated coil voltage)
Vibration		
Endurance		10 to 55Hz Double Amplitude 1.5mm
Error Operation		10 to 55Hz Double Amplitude 1.5mm
Shock		
Endurance		50g 11ms.
Error Operation		10g 11ms.
Life Expectancy		
Mechanically		2 $\times$ 10 <sup>7</sup> ops. Min. (no load)
Electrically		1 $\times$ 10 <sup>5</sup> ops. Min. (rating load)
Weight		abt. 4.8grs.
UL & CUL		E156521

## ➤ REFERENCE DATA

### Coil Temperature Rise



### Operate Time



### Life Expectancy

