



HRM4 Relay



519955



17366 A2



P03200394



313853-01



No.50062802



40018309



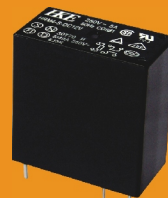
1063016



E164730



CQC02001001298



1.COIL DATA

1-1.Nominal Voltage	3,5,6,9,12,24,48VDC
1-2.Coil Resistance	Refer to Coil Data Chart
1-3.Operate Voltage	Refer to Coil Data Chart
1-4.Release Voltage	Refer to Coil Data Chart
1-5.Nominal Power	250mW、540mW

2.CONTACT DATA

2-1.Contact Form	2 Form A
2-2.Contact Material	AuAg,Ag Alloy
2-3.Contact Rating	5A 250VAC/30VDC,TV-5(Rivet Contact) 3A 125VAC/30VDC, 5A 50VAC(SP:Cross Bar Contact) 5A 125VAC/30VDC,7A 50VAC(SP7:Cross Bar Contact)
2-4.Max.Switching Voltage	250VAC/30VDC
2-5.Max.Switching Current	10A
2-6.Max.Switching Power	1,250VA,150W
2-7.Min.Switching Load	5VDC,100mA
2-8.Contact Resistance	Max 100mΩ (6VDC 1A)
2-9.Life	
Electrical	100,000 operations
Mechanical	2,000,000 operations

3.GENERAL DATA

3-1.Insulation Resistance	Min.1000MΩ 500VDC
3-2.Dielectric Strength	1,000VAC,1 min between open contacts 4,000VAC,1 min between coil and contacts
3-3.Operate Time	Max.20ms
3-4.Release Time	Max.10ms
3-5.Operate Temperature	-30 ~ +70°C
3-6.Shock Resistance	
Endurance	1,000m/s ²
Misoperation	100m/s ²
3-7.Vibration Resistance	
Endurance	10~ 55Hz,1.5mm double amplitude
Misoperation	10~ 55Hz,1.5mm double amplitude
3-8.Humidity	35%~ 95%RH,+40°C
3-9.Weight	Approximately 13g
3-10.Safety	UL NO.E164730 TUV NO.50062802 CSA NO.1063016(LR109368) CSA NO.1426409(SP type) VDE NO.40018309 SEMKO NO.519955 CQC NO.02001001298



HRM4 Relay





 519955 17366 A2 P03200394 313853-01





 No.50062802 40018309 1063016 E164730 CQC02001001298



4. ORDER CODE

HRM4 H - S - DC5V - SP

NIL-Rivet Contact
 SP-Cross Bar Contact (5A 50VAC)
 Sp7- Cross Bar Contact (7A 50VAC)
 COIL VOLTAGE
 DC3V,DC5V,DC6V,DC9V,DC12V,DC24V,DC48V
 ENCLOSURE
 S - Plastic Sealed Type
 COIL POWER
 H-High Sensitivity 250mW
 NIL-Standard 540mW
 RELAY MODEL

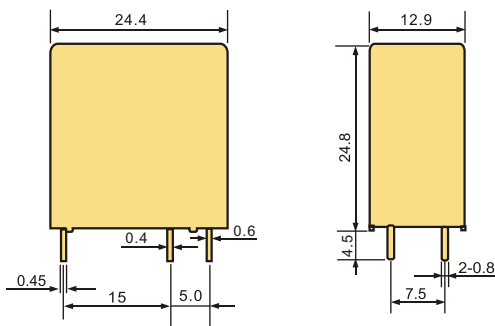
5. COIL DATA CHART

20°C

Model	Nominal Voltage VDC	Coil Resistance $\Omega \pm 10\%$	Operate Voltage \leq VDC	Release Voltage \geq VDC	Coil Power mW
HRM4-(S)-DC3V	3	17	2.25	0.3	540
HRM4-(S)-DC5V	5	47	3.75	0.5	
HRM4-(S)-DC6V	6	67	4.50	0.6	
HRM4-(S)-DC9V	9	150	6.75	0.9	
HRM4-(S)-DC12V	12	267	9.0	1.2	
HRM4-(S)-DC24V	24	1067	18.0	2.4	
HRM4-(S)-DC48V	48	4267	36.0	4.8	
HRM4H-(S)-DC3V	3	36	2.25	0.3	250
HRM4H-(S)-DC5V	5	100	3.75	0.5	
HRM4H-(S)-DC6V	6	144	4.50	0.6	
HRM4H-(S)-DC9V	9	324	6.75	0.9	
HRM4H-(S)-DC12V	12	576	9.0	1.2	
HRM4H-(S)-DC24V	24	2304	18.0	2.4	
HRM4H-(S)-DC48V	48	9216	36.0	4.8	

6. DIMENSIONS (mm)

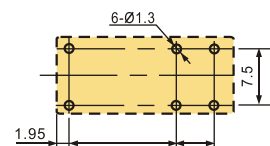
Dimensions



Wiring Diagrams (Bottom View)



Mounting Hole Layout (Bottom View)



7.HRM4 CHARACTERISTIC CHART DATA

