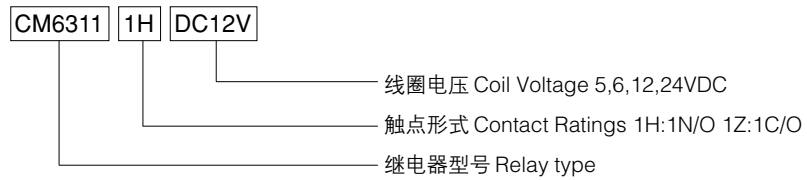


特性 Features

- 适用各类型汽电路控制
- 防震性能优越
- 备有匹配插座
- Serve as Control of Kinds of Circuits at auto
- Excellent shake resistance Performance
- With Couple Socket

汽车继电器 Automotive Relay



触点参数 Contact Ratings

触点形式 Contact Ratings	1H
接触电阻 Contact Resistance	50mΩ(1A 6VDC)
触点材料 Contact Material	银合金 Silver Alloy
触点负载(阻性)Contact capacity	20A 250VAC/30VDC

性能参数 Specification

绝缘电阻 Insulation Resistance	1000MΩ.500VDC
介质耐压 Dielectric Strength	线圈与触点间 BCC 500V 1分钟 1 min
	断开触点间 BOC 500V 1分钟 1 min
动作时间 Operate Time	15ms/10ms
引出端方式 Terminal Type	快连接式引出端 Terminal mounting



CM6311

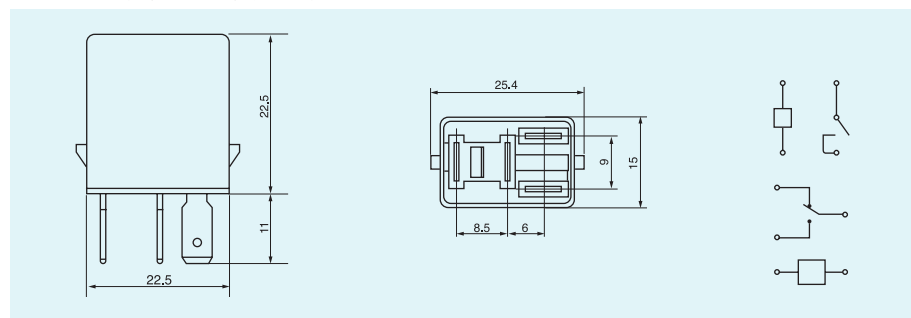
线圈参数 Coil Ratings

额定线圈功率 Nominal Coil Power	1.6W
---------------------------	------

线圈规格表 Coil Versions

额定电压 Nominal Voltage VDC	吸合电压 Pull-in Voltage VDC	释放电压 Release Voltage VDC	线圈电阻 Coil Resistance Ω: ±10%
5	3.50	0.50	16
6	4.20	0.60	18
12	8.40	1.20	80
24	16.8	2.40	324

外形图、接线图、安装孔尺寸 Dimension.Bottom View



性能曲线图 Reference Data

