

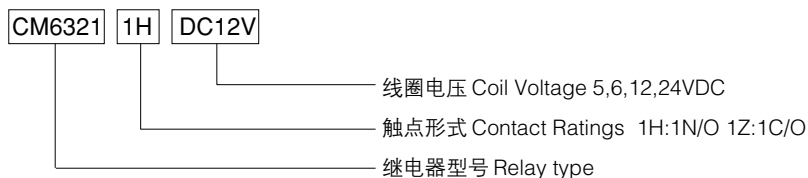
**特性 Features**

- 适用各类型汽电路控制
- 防震性能优越
- 备有匹配插座
- Serve as Control of Kinds of Circuits at auto
- Excellent shake resistance Performance
- With Couple Socket



CM6321

**汽车继电器 Automotive Relay**



**触点参数 Contact Ratings**

触点形式 Contact Ratings	1Z	1H
接触电阻 Contact Resistance	50mΩ(1A 6VDC)	
触点材料 Contact Material	银合金 Silver Alloy	
触点负载(阻性)Contact capacity	20A 250VAC/30VDC	30A 250VAC/30VDC

**性能参数 Specification**

绝缘电阻 Insulation Resistance	1000MΩ.500VDC		
介质耐压 Dielectric Strength	线圈与触点间 BCC	500V	1分钟 1 min
	断开触点间 BOC	500V	1分钟 1 min
动作时间 Operate Time	15ms/10ms		
引出端方式 Terminal Type	快连接式引出端 Terminal mounting		

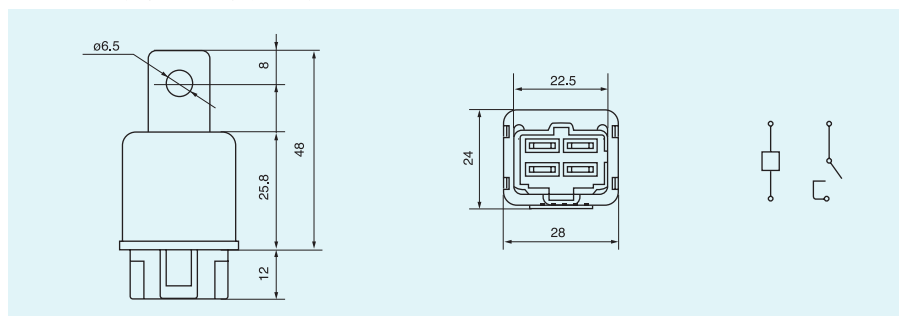
**线圈参数 Coil Ratings**

额定线圈功率 Nominal Coil Power	1.6W
---------------------------	------

**线圈规格表 Coil Versions**

额定电压 Nominal Voltage VDC	吸合电压 Pull-in Voltage VDC	释放电压 Release Voltage VDC	线圈电阻 Coil Resistance Ω: ±10%
5	3.50	0.50	16
6	4.20	0.60	20
12	8.40	1.20	80
24	16.8	2.40	320

**外形图、接线图、安装孔尺寸 Dimension.Bottom View**



**性能曲线图 Reference Data**

