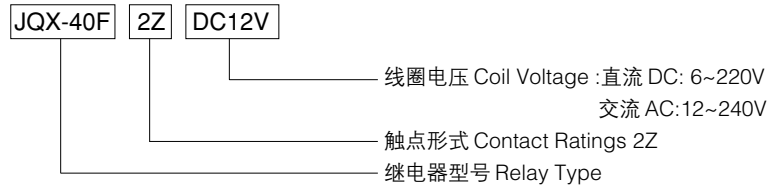


特性 Features

- 40A 触点切换能力
- 快速连接
- 导轨固定
- 40A Contact Change-over Capacity
- Swift Connection
- Fastness of Guide Rail

大功率继电器 Power Relay



触点参数 Contact Ratings

触点形式 Contact Ratings	2Z,2H,2D
接触电阻 Contact Resistance	100mΩ(1A 6VDC)
触点材料 Contact Material	银合金 AgCdO
触点负载(阻性)Contact capacity	40A 250VAC/28VDC

性能参数 Specification

绝缘电阻 Insulation Resistance	1000MΩ.500VDC
介质耐压 Dielectric Strength	线圈与触点间 BCC 2500V 1分钟 1 min
	断开触点间 BOC 1200V 1分钟 1 min
动作时间 Operate Time	25ms/25ms
引出端方式 Terminal Type	快速连接 Terminal mounting

线圈参数 Coil Ratings

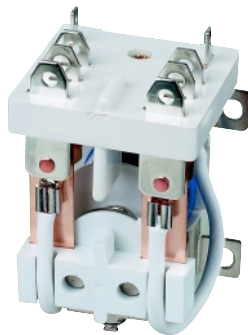
额定线圈功率 Nominal Coil Power	DC:2.0W AC:2.5VA
---------------------------	------------------



JQX-40F 2Z

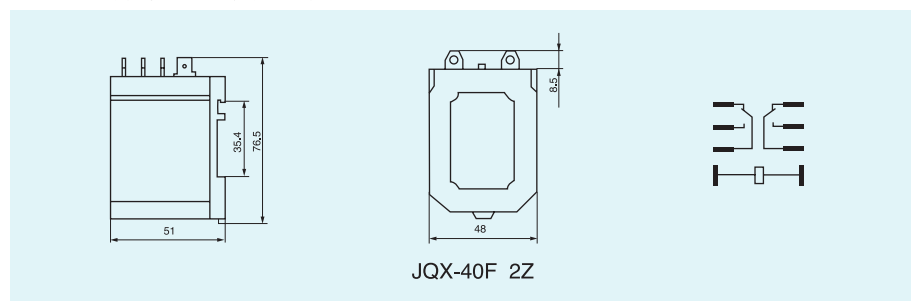
线圈规格表 Coil Versions

额定电压 Nominal Voltage VDC	吸合电压 Pull-in Voltage VDC	释放电压 Release Voltage VDC	线圈电阻 Coil Resis- tance Ω: ±10%	额定电压 Nominal Voltage VAC	吸合电压 Pull-in Voltage VAC	释放电压 Release Voltage VAC	线圈电阻 Coil Resis- tance Ω: ±10%
6	4.8	0.60	20	6	4.80	1.80	14.4
12	9.6	1.20	65	12	9.60	3.60	57
24	19.2	2.40	320	24	19.20	7.20	250
48	38.4	4.80	1280	48	38.40	14.4	921
60	80.0	10.0	2800	110/120	88.00	36.0	5000
110	88.0	11.0	9650	220/240	176.00	72.0	19600/25040



JQX-40F 2Z

外形图、接线图、安装孔尺寸 Dimension.Bottom View



性能曲线图 Reference Data

