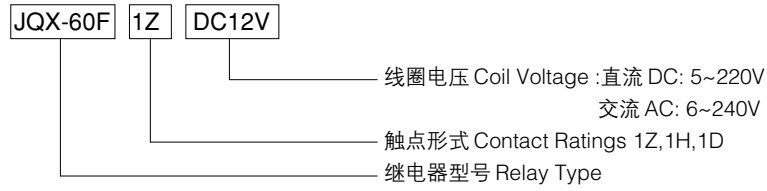


特性 Features

- 60A 触点切换能力
- 螺丝安装使用
- 具有敞开式、防尘罩式
- 60A Contact Change-over Capacity
- Swift Connection
- With Opening and dust-proof Type

大功率继电器 Power Relay



触点参数 Contact Ratings

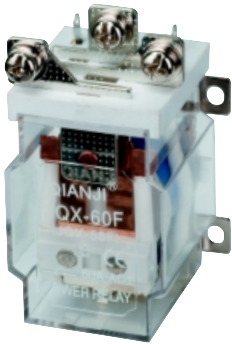
|                          |                  |
|--------------------------|------------------|
| 触点形式 Contact Ratings     | 1Z, 1H, 1D       |
| 接触电阻 Contact Resistance  | 100mΩ(1A 6VDC)   |
| 触点材料 Contact Material    | 银合金 AgCdO        |
| 触点负载(阻性)Contact capacity | 60A 250VAC/30VDC |

性能参数 Specification

|                            |                            |
|----------------------------|----------------------------|
| 绝缘电阻 Insulation Resistance | 1000MΩ.500VDC              |
| 介质耐压 Dielectric Strength   | 线圈与触点间 BCC 2500V 1分钟 1 min |
|                            | 断开触点间 BOC 1200V 1分钟 1 min  |
| 动作时间 Operate Time          | 25ms/25ms                  |
| 引出端方式 Terminal Type        | 螺丝安装 Screw                 |

线圈参数 Coil Ratings

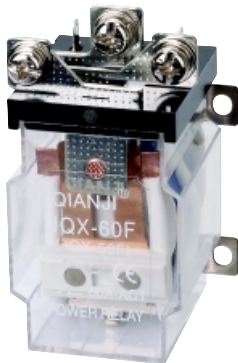
|                           |                  |
|---------------------------|------------------|
| 额定线圈功率 Nominal Coil Power | DC:2.0W AC:2.5VA |
|---------------------------|------------------|



JQX-60F

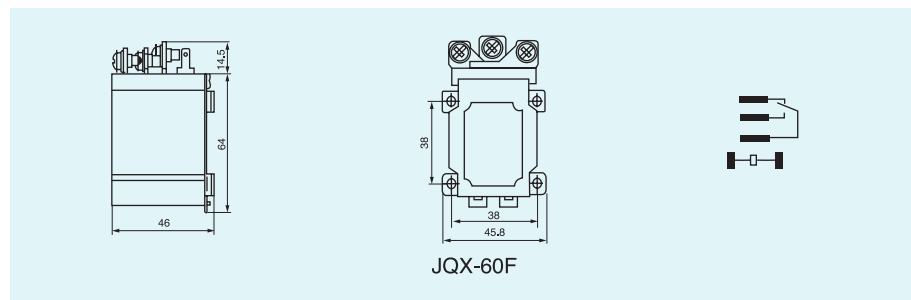
线圈规格表 Coil Versions

| 额定电压<br>Nominal<br>Voltage<br>VDC | 吸合电压<br>Pull-in<br>Voltage<br>VDC | 释放电压<br>Release<br>Voltage<br>VDC | 线圈电阻<br>Coil Resis-<br>tance<br>Ω: ±10% | 额定电压<br>Nominal<br>Voltage<br>VAC | 吸合电压<br>Pull-in<br>Voltage<br>VAC | 释放电压<br>Release<br>Voltage<br>VAC | 线圈电阻<br>Coil Resis-<br>tance<br>Ω: ±10% |
|-----------------------------------|-----------------------------------|-----------------------------------|---|-----------------------------------|-----------------------------------|-----------------------------------|---|
| 6                                 | 4.80                              | 0.60                              | 20                                      | 6                                 | 4.80                              | 1.80                              | 14.4                                    |
| 12                                | 9.60                              | 1.20                              | 45                                      | 12                                | 9.60                              | 3.60                              | 57                                      |
| 24                                | 19.2                              | 2.40                              | 320                                     | 24                                | 19.20                             | 7.20                              | 250                                     |
| 48                                | 38.4                              | 4.80                              | 1280                                    | 48                                | 38.40                             | 14.4                              | 921                                     |
| 60                                | 48.0                              | 6.00                              | 2800                                    | 110                               | 88.00                             | 36.0                              | 5000                                    |
| 110                               | 88.0                              | 11.0                              | 9650                                    | 220/240                           | 176.00                            | 72.0                              | 19600/25040                             |



JQX-60F

外形图、接线图、安装孔尺寸 Dimension.Bottom View



性能曲线图 Reference Data

