

# TRIL

## MAIN FEATURES

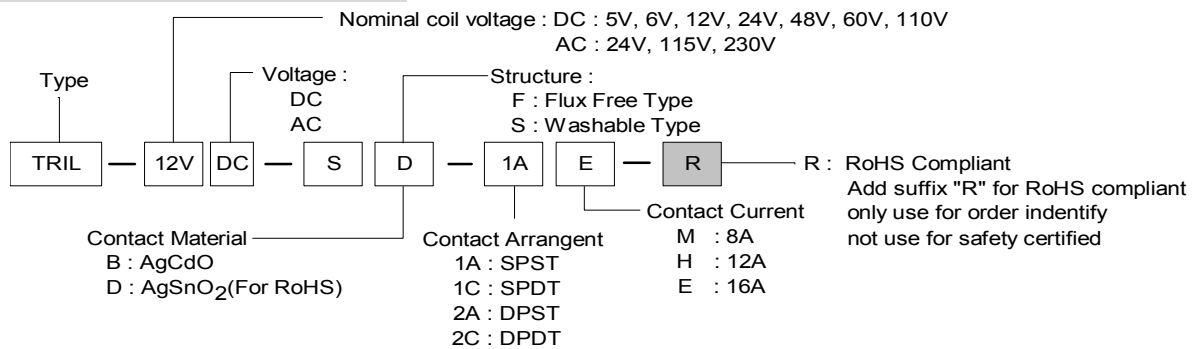
- 16A switching capabilities.
- 1 & 2 pole configurations.
- 5KV/10mm dielectric coil to contacts.
- Low height of 15.7mm.
- Sealed & Unsealed types available.
- UL & cUL recognized.

## APPLICATIONS

- Microwave Oven; Facsimile; Refrigerator, Air Conditioner, Conditioner, Stereo Equipment; Copiers, TV Set, Monitor, Vending Machine, Temperature Controller, etc.



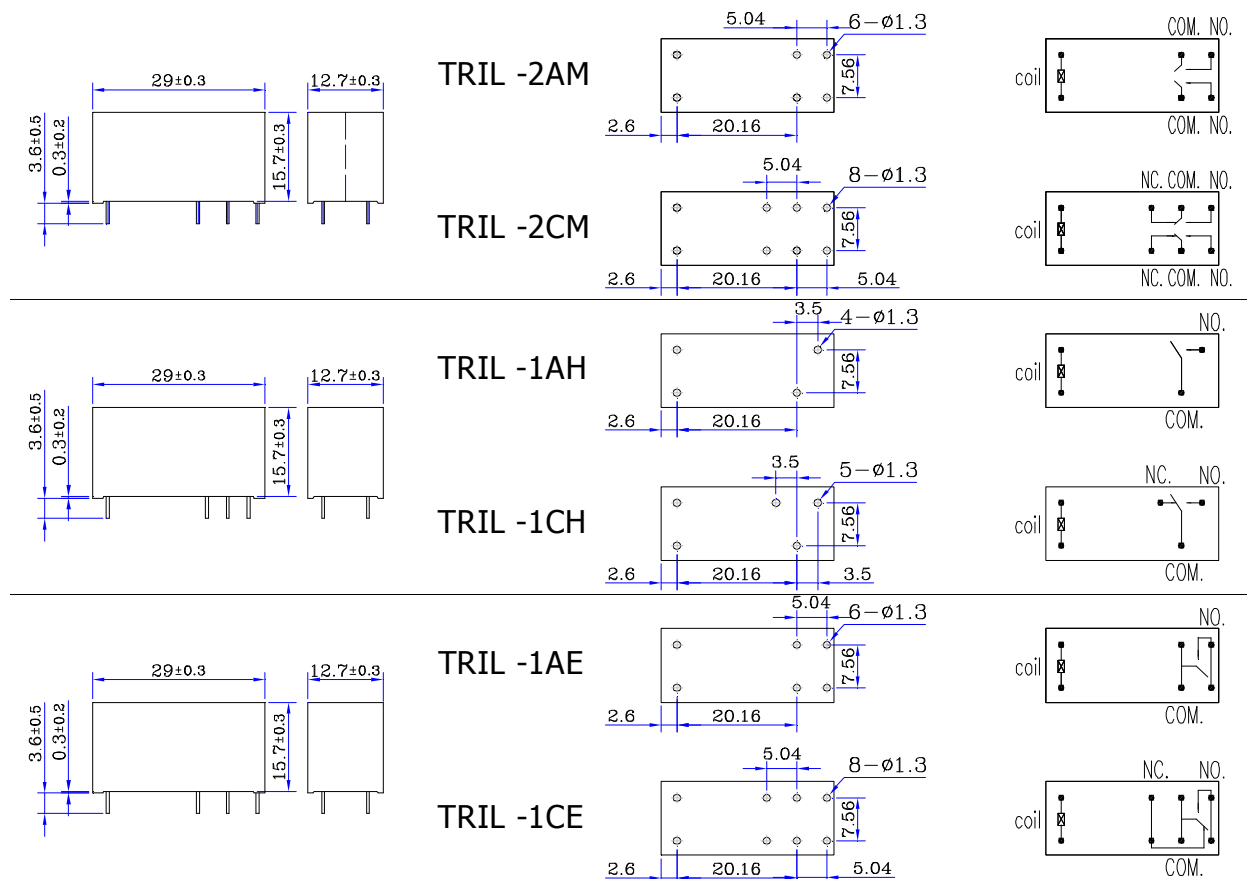
## ORDERING INFORMATION



## DIMENSION (unit:mm)

## DRILLING (unit:mm)

## WIRING DIAGRAM



➤ **COIL DATA CHART**(at 20°C)

Coil Sensitivity	Nominal Voltage (VDC)	Nominal Current (mA)	Coil Resistance (Ω)±10%	Power Consumption (W)	Pull-InVoltage (VDC)	Drop-Out Voltage (VDC)	Max-Allowable Voltage (VDC)
TRIL (DC TYPE)	5	80.6	62	abt. 0.4W	70% Max.	10% Min.	110% Max.
	6	66.7	90				
	12	33.3	360				
	24	16.7	1440				
	48	8.3	5760 ± 15%				
	60	8.0	7500 ± 15%				
TRIL (AC TYPE)	110	4.3	25200 ± 15%	abt. 0.75VA	75% Max.	15% Min.	110% Max.
	24	31.6	350				
	230	34.5	32500 ± 15%				

➤ **CONTACT RATING**

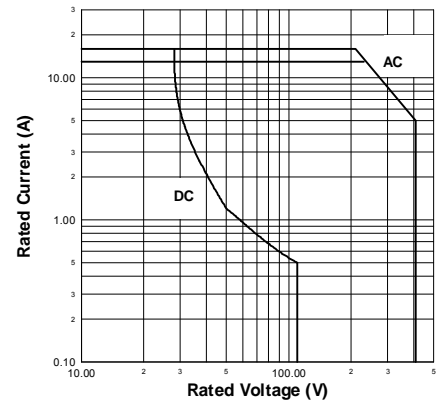
Item	Type	SPST (1A) , SPDT (1C)		DPST (2A) , DPDT (2C)
		TRIL -E	TRIL -H	TRIL -M
Contact Capacity				
Resistive Load (cosΦ=1)		16A 250VAC	12A 250VAC	8A 250VAC
Rated Carrying Current		16A	12A	8A
Max. Allowable Voltage		250VAC		
Max. Allowable Current		16A	12A	8A
Max. Allowable Power Force		4000VA	3000VA	2000VA
Contact Material		Ag Alloy		

➤ **PERFORMANCE** (at initial value)

Item	Type	TRIL
Contact Resistance		100mΩ max (measured at 1A 6VDC).
Operation Time		15msec max.
Release Time		8msec max.
Insulation Resistance		1000 MΩ min. (500VDC)
Dielectric Strength	Between coil & contacts	5000VAC, 1min
	Between open contacts	1000VAC, 1min
	Between Contact sets	2500VAC, 1min
Surge voltage (between coil & contacts)		10KV(1.2 x 50us)
Temperature rise(at nomi.volt.)		55K max. (DC Type)/ 65K max. (AC Type)
Shock Resistance	Functional	98 m/s <sup>2</sup>
	Destructive	980 m/s <sup>2</sup>
Vibration Resistance		10 to 150Hz 10g/5g
Operating Ambient Temperature		-40°C to +85°C(DC Type)/ -40°C to +70°C (AC Type)
Operating Humidity		35% to 85% RH
Life Expectancy	Mechanically	1 × 10 <sup>7</sup> ops. Min.
	Electrically	1 × 10 <sup>5</sup> ops. Min.(DC Type)
		5 × 10 <sup>4</sup> ops. Min.(AC Type)
Weight		abt. 13.5grs.
UL & cUL		E156406

➤ **REFERENCE DATA**

**1 Pole 12/16A**



**2 Pole 8A**

