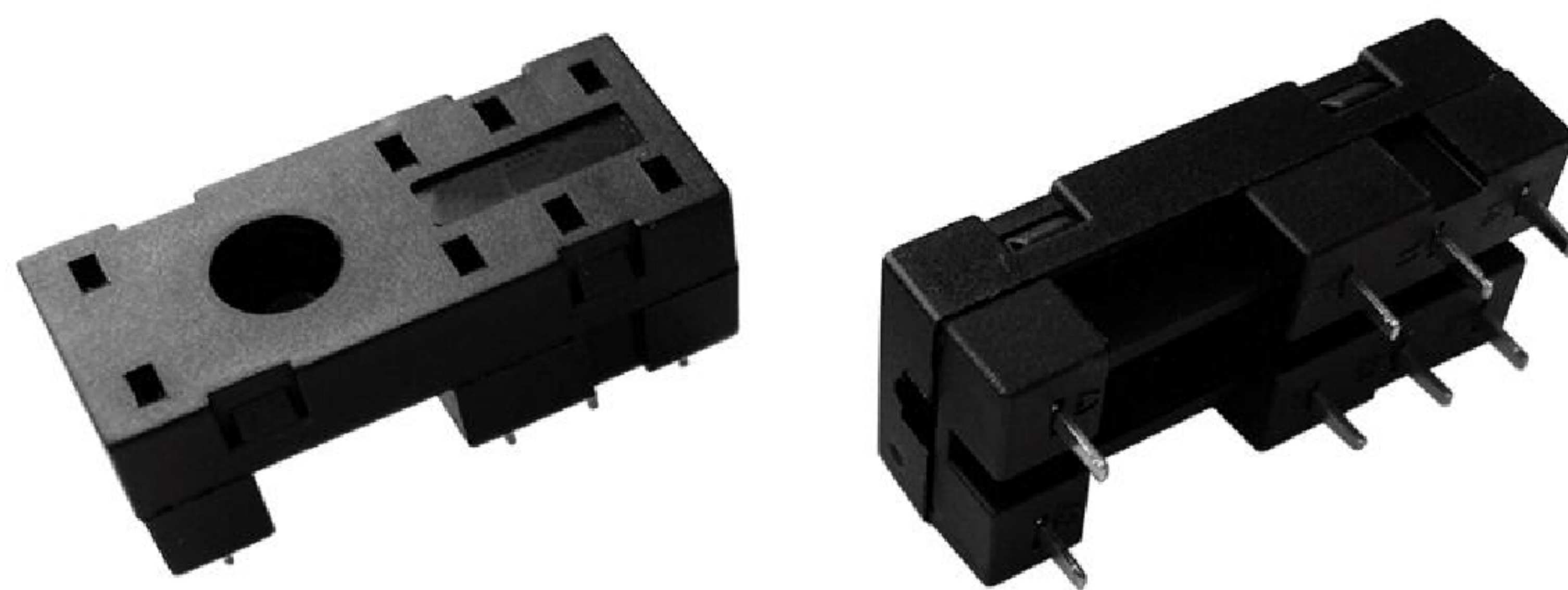


**Relay socket**

**14FA-2Z**

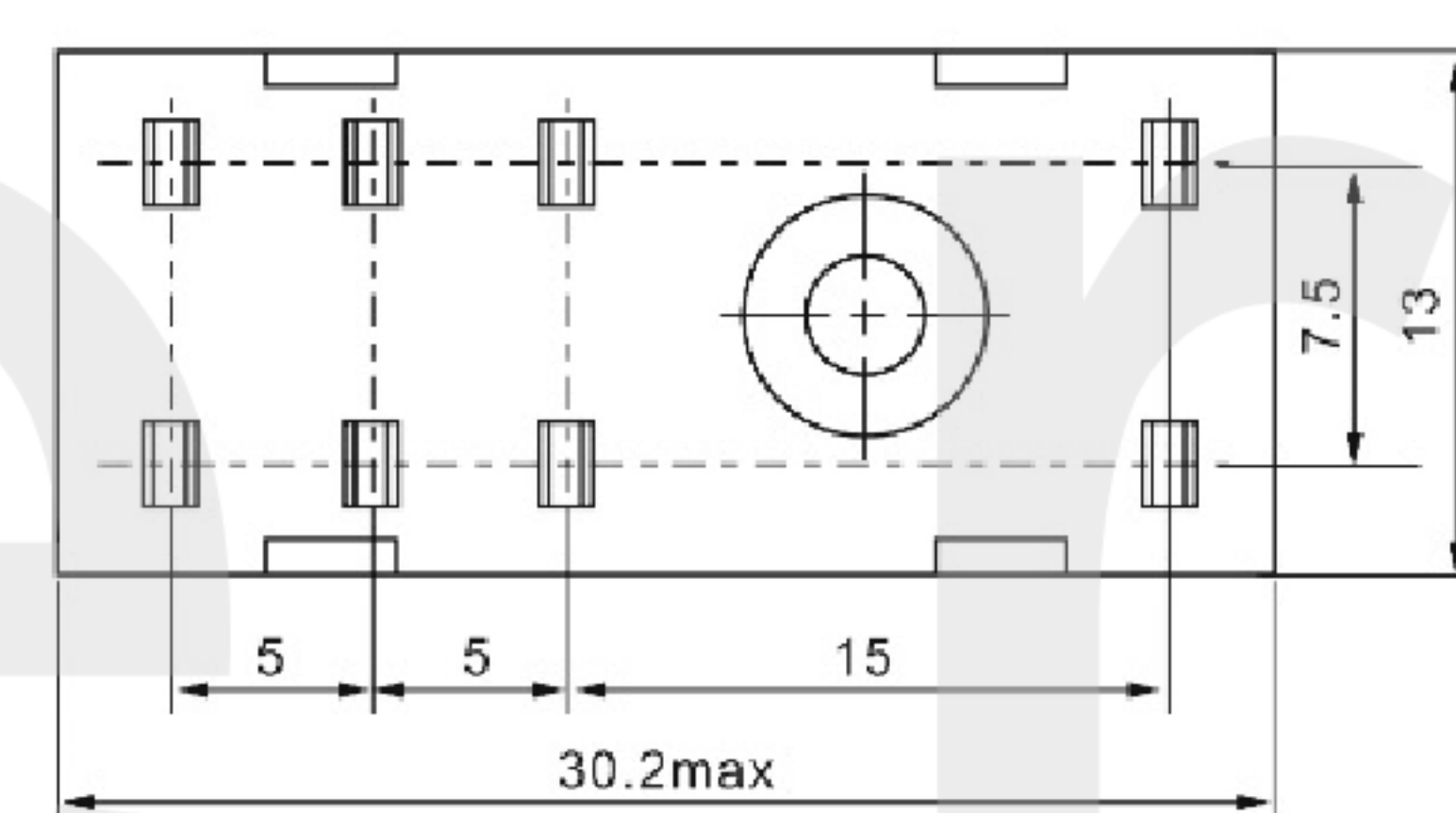
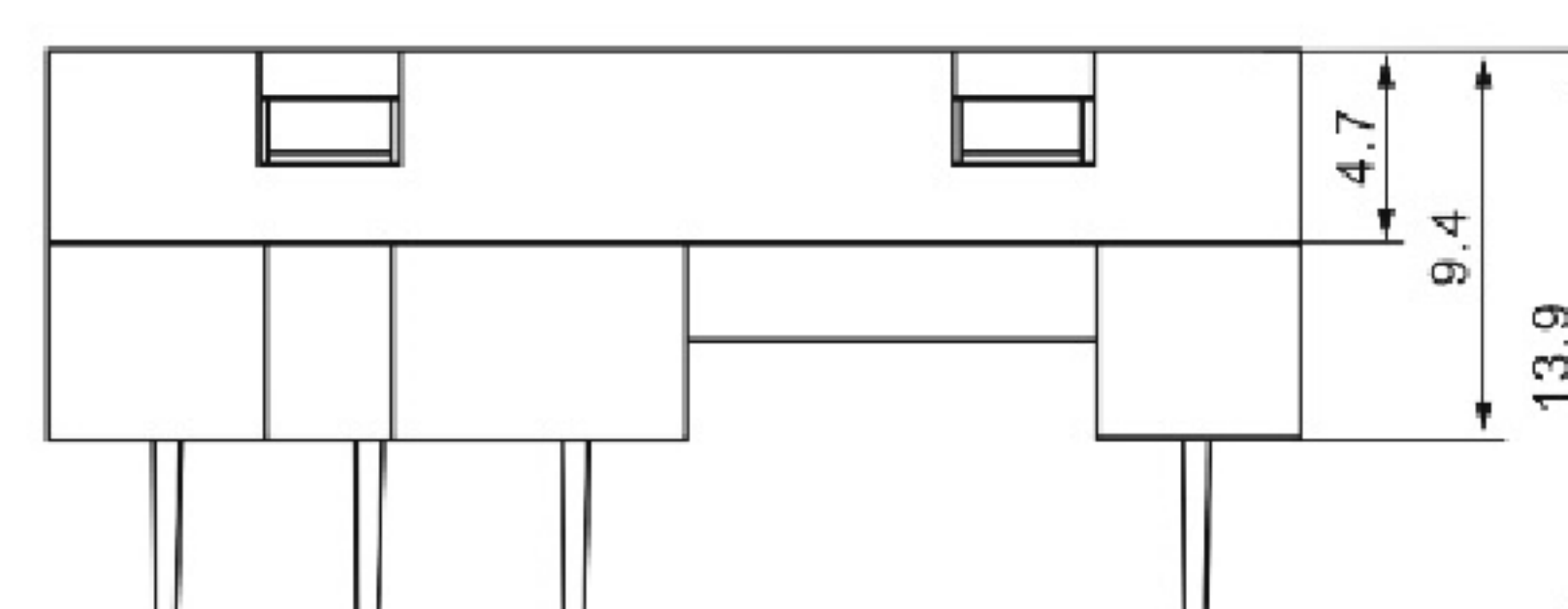
- Small size.
- Tight mounting PCB.



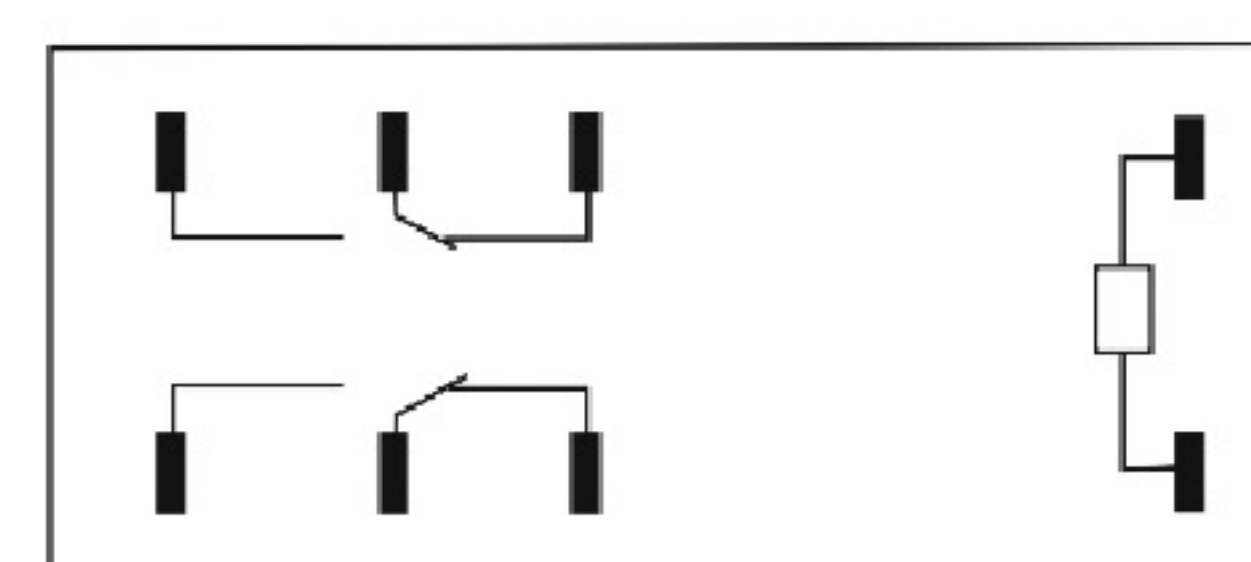
**Specification**

Rated current	10A
Rated voltage	300VAC
Dielectric strength between contacts	4000VAC, 50-60Hz
Dielectric strength between contact and coil	2500VAC, 50-60Hz
Insulation resistance (at 500VDC)	1000MOM
Conductor material	H62
Mounting distance	0mm tight installation
Ambient temperature range	from -25°C to +55°C
Type of connection	PCB
Terminal protection degree	IP20
Flame retardant rating	UL94-V0
Weight	4,11g
Packing	100pcs

**Outline dimensions (mm)**



**Wiring diagram**



- 1) Permissible accuracy of product execution: dimensions  $\leq 1$  mm - tolerance  $\pm 0.2$  mm, sizes from 1 to 5 mm - tolerance  $\pm 0.3$  mm, dimensions  $> 5$  mm - tolerance  $\pm 0.4$  mm.
- 2) Tolerance of mounting holes  $\pm 0.1$  mm.

Note:

The information in this document is for reference only and is subject to change without notice.