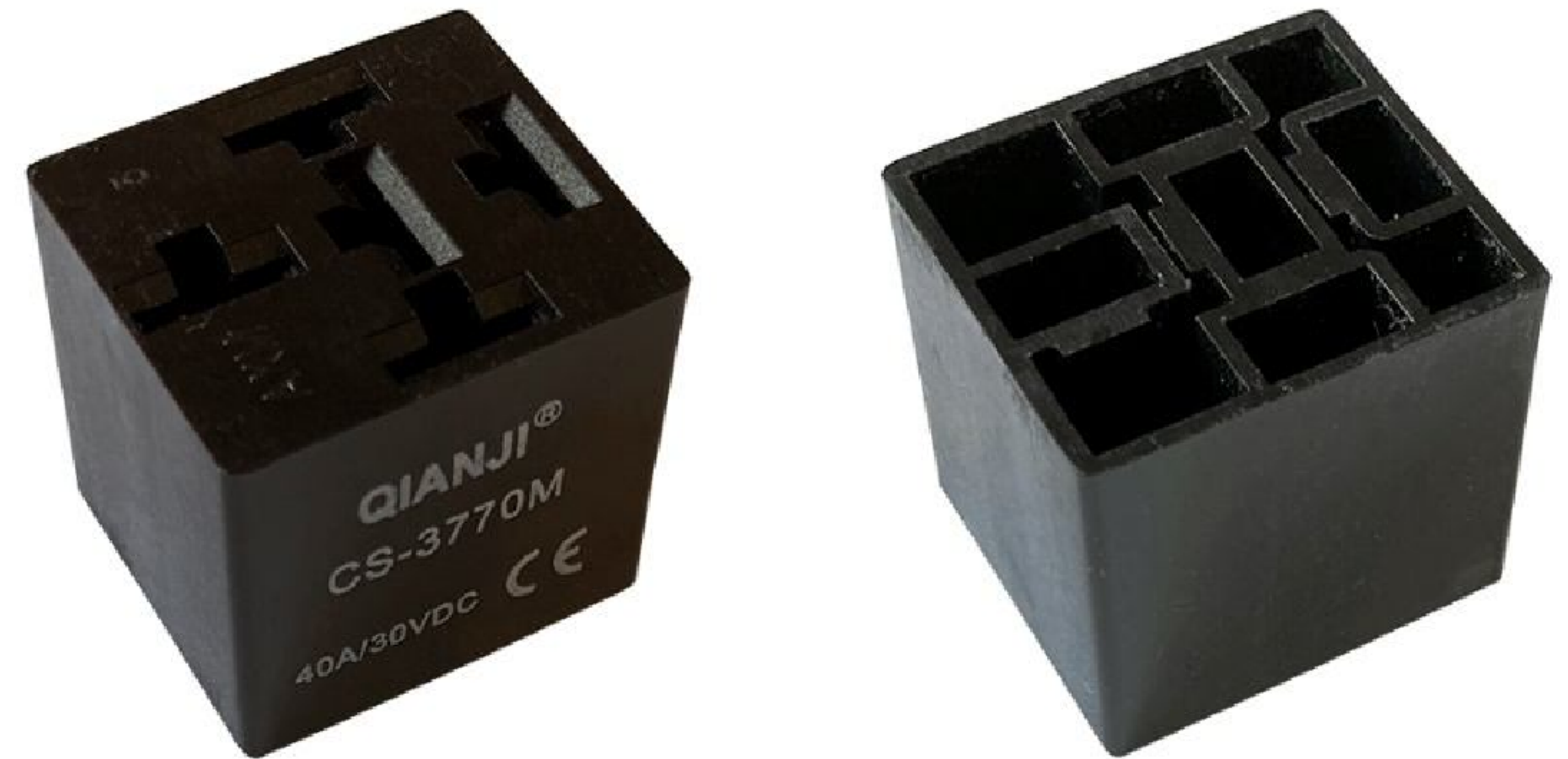


Auto relay socket

CS-3770M

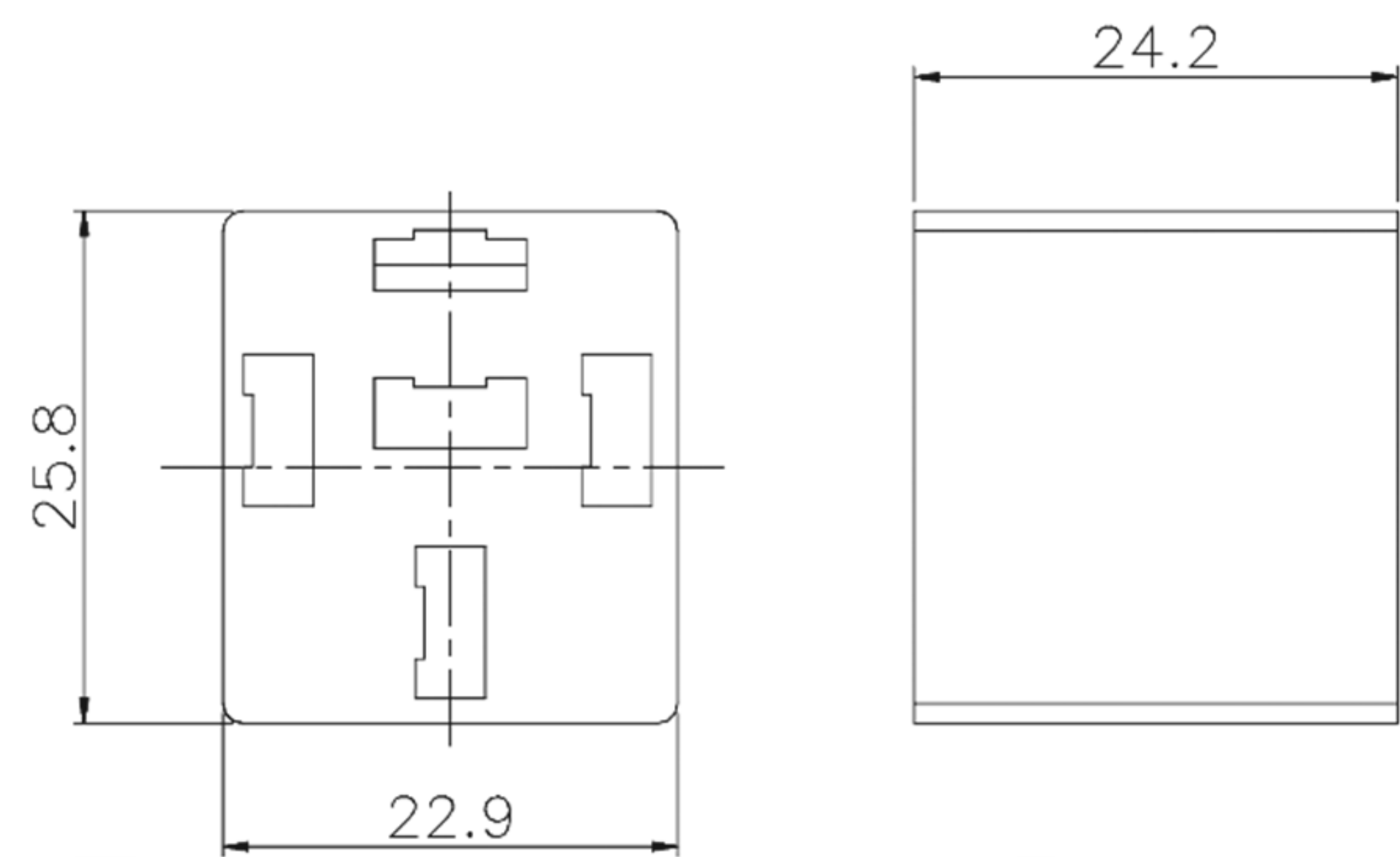
- Socket without wires and without terminals.
- Easy relay replacement.
- The socket can be used as a connector for diagnostics.



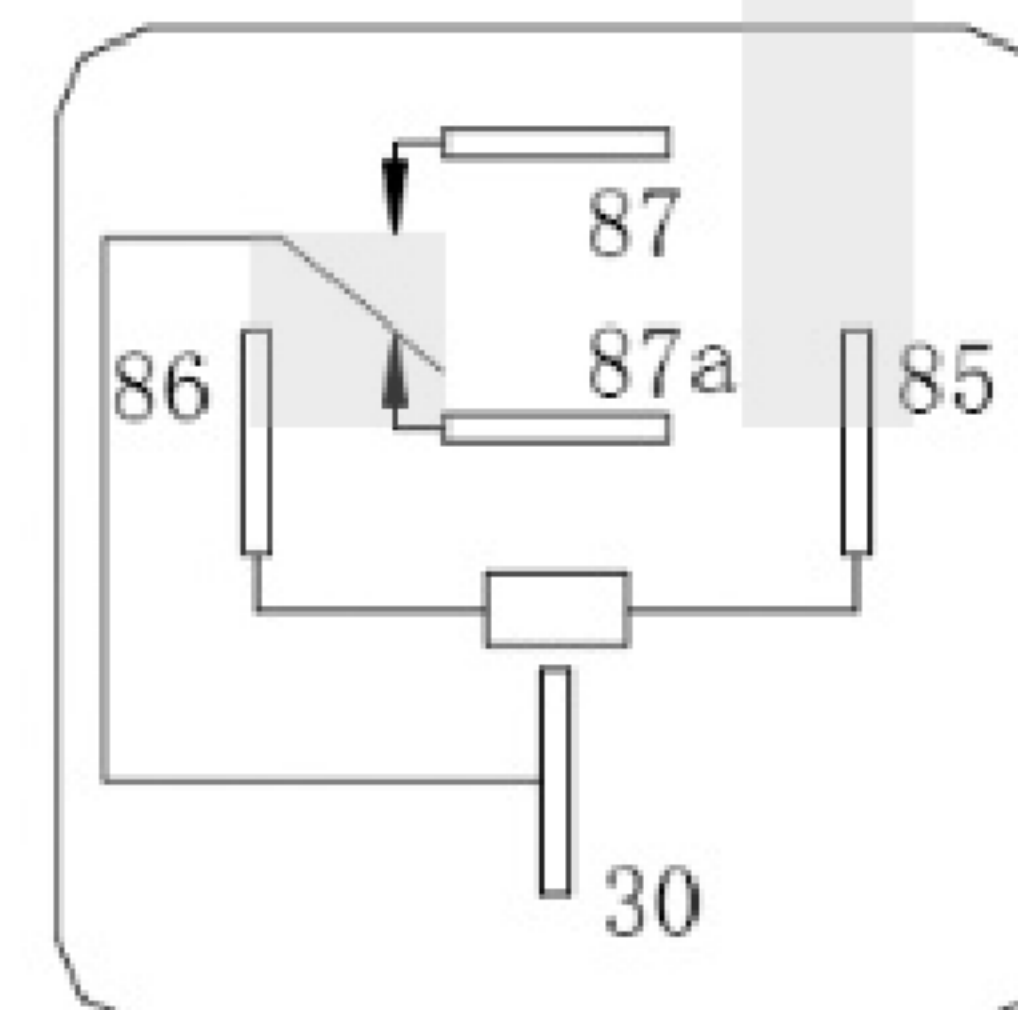
Specification

Rated current	40A
Rated voltage	30VDC
Dielectric strength	2000VAC
Insulation resistance (at 500VDC)	1000MOM
Ambient temperature range	from -25°C to +55°C
Flame retardant rating	UL94-V0
Weight	5g
Packing	250pcs

Outline dimensions (mm)



Wiring diagram (bottom view)



- 1) Permissible accuracy of product execution: dimensions ≤ 1 mm - tolerance ± 0.2 mm, sizes from 1 to 5 mm - tolerance ± 0.3 mm, dimensions > 5 mm - tolerance ± 0.4 mm.
- 2) Tolerance of mounting holes ± 0.1 mm.

Note:

The information in this document is for reference only and is subject to change without notice.