

**Relay socket**

**PF083A**

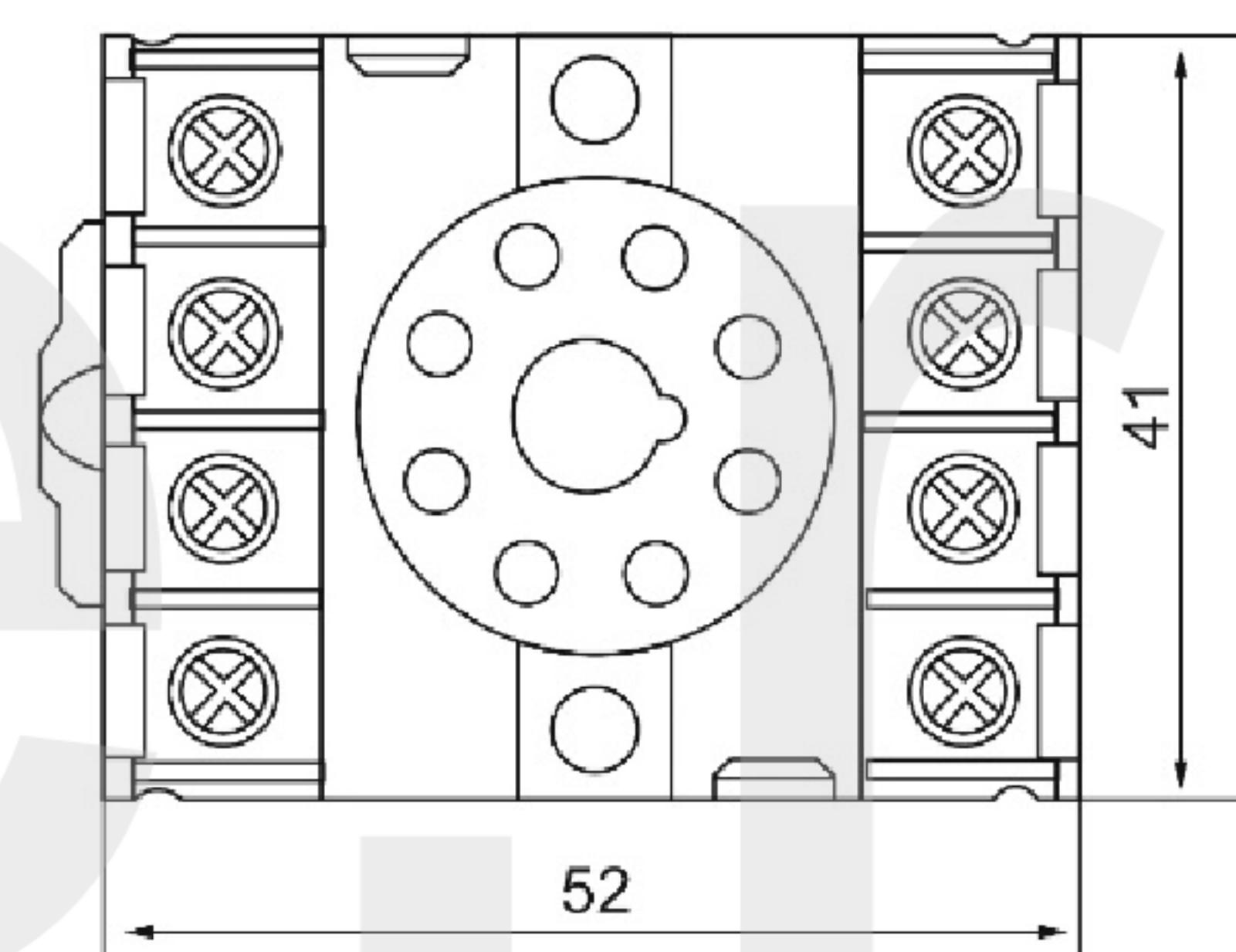
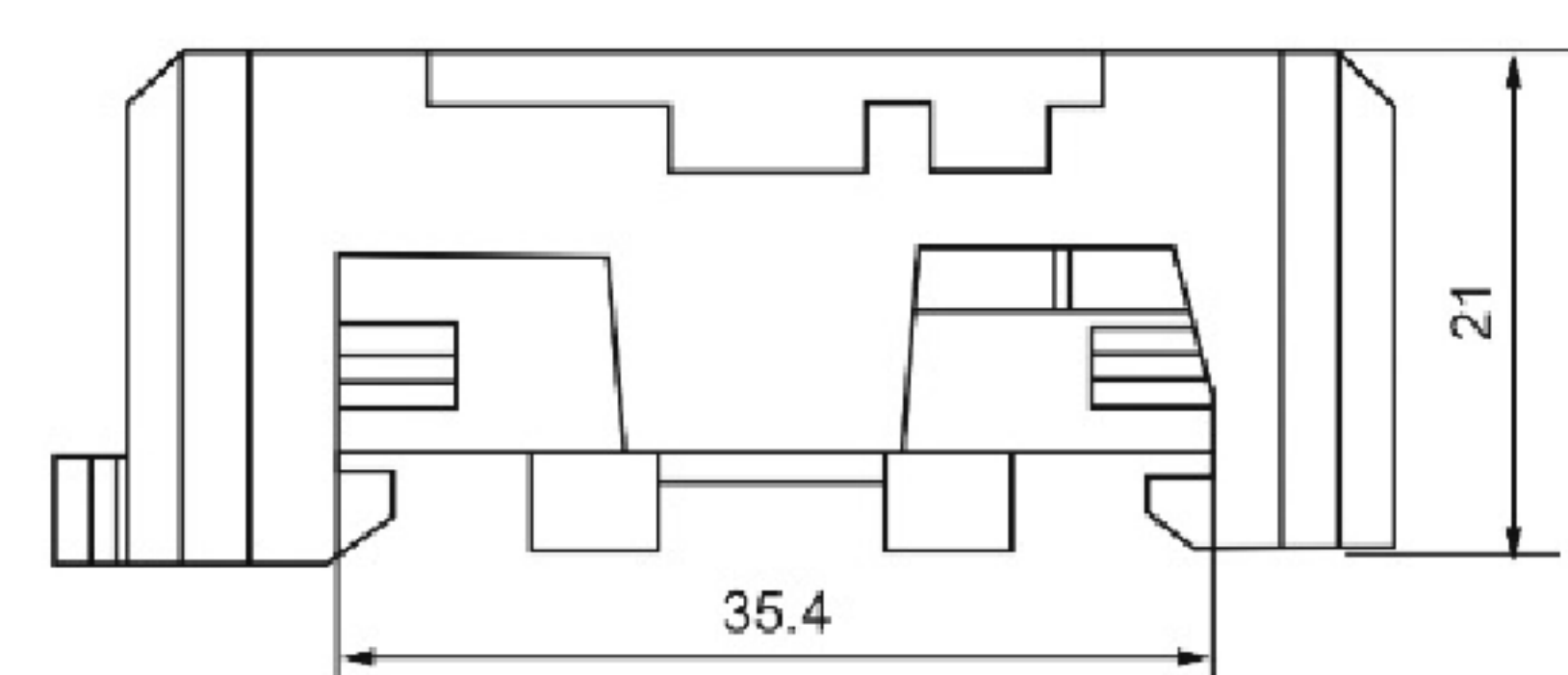
- Socket with screw terminal.
- Easy relay replacement on a densely filled DIN rail.
- Mounting on a 35mm DIN rail.
- The socket can be used as a connector for diagnostics.



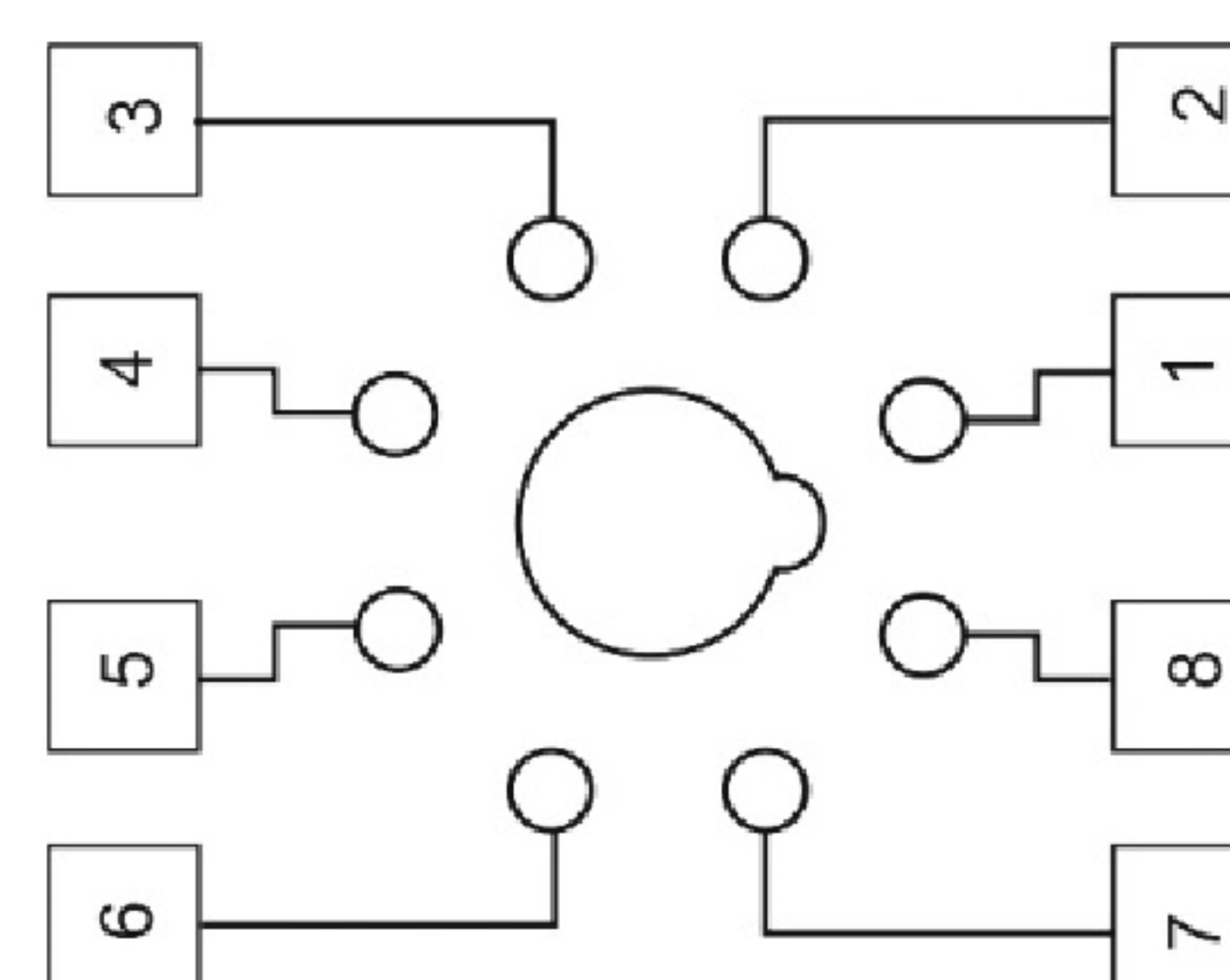
**Specification**

Rated current	10A
Rated voltage	250VAC
Dielectric strength	2000VAC
Insulation resistance (at 500VDC)	1000MOM
Conductor material	H62
Mounting distance	0mm tight installation
Ambient temperature range	from -25°C to +55°C
Type of wire connection	Screw clamp
Screw torque	0,7 Nm
External connection wire	2x2,5mm <sup>2</sup>
Flame retardant rating	UL94-V0
Weight	35,4g
Packing	20pcs

**Outline dimensions (mm)**



**Wiring diagram**



- 1) Permissible accuracy of product execution: dimensions ≤ 1 mm - tolerance ± 0.2 mm, sizes from 1 to 5 mm - tolerance ± 0.3 mm, dimensions > 5 mm - tolerance ± 0.4 mm.
- 2) Tolerance of mounting holes ± 0.1 mm.

Note:

The information in this document is for reference only and is subject to change without notice.