

## ■ DIN-Rail Socket Ordering Information

P Y F - 11 A E

Safeguard:

Nil: Without Finger Protection

E: With Finger Protection

Area Specification:

A: Asia Specification

B: Europe Specification

Effective Holes:

08: 8 Holes

11: 11 Holes

14: 14 Holes

Install Type:

F: DIN-Rail Install

Suit Relay Model:

Y: RE Model

T: RET Model

Item:

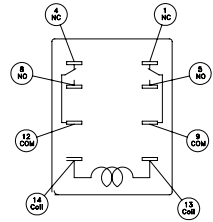
P: Socket

## ◇ DIN-Rail Socket List

No	Socket Name	Suit Relay Model	Note
1	PYF-08A	RE-2P	
2	PYF-08AE	RE-2P	
3	PYF-08BE	RE-2P	
4	PYF-08BE/3	RE-2P	/3: Conform to VDE0160
5	PYF-14A	RE-4P	
6	PYF-14AE	RE-4P	
7	PYF-14BE	RE-4P	
8	PYF-14BE/3	RE-4P	/3: Conform to VDE0160

## Socket illustration

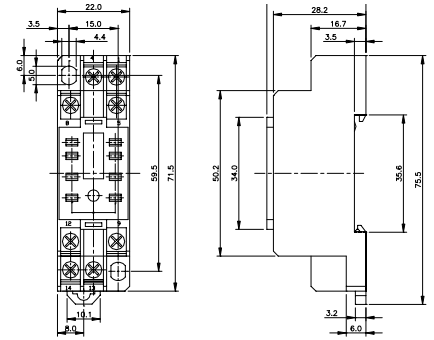
### PYF-08A



Terminal illustration



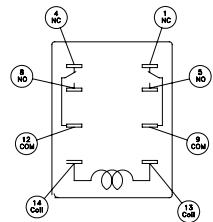
BS-36-M  
Equipment



Appearance illustration



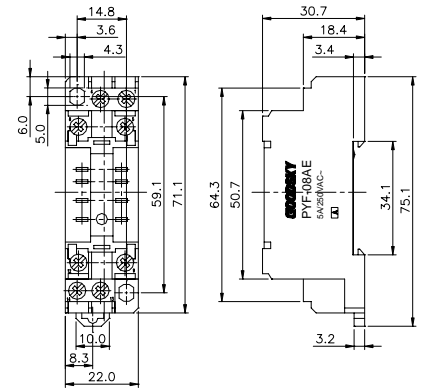
### PYF-08AE



Terminal illustration

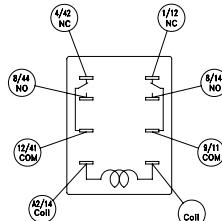


BS-36-M  
Equipment

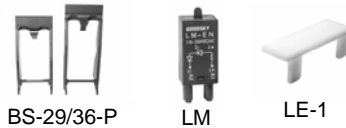


Appearance illustration

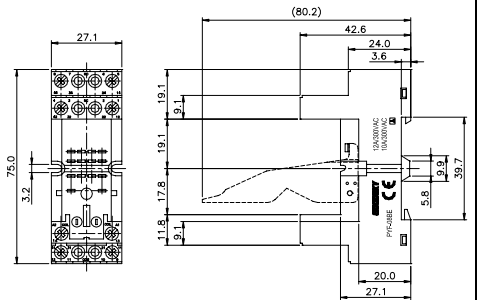
### PYF-08BE



Terminal illustration

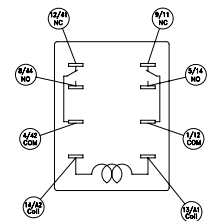


BS-29/36-P  
LM  
LE-1  
Equipment

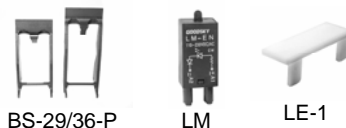


Appearance illustration

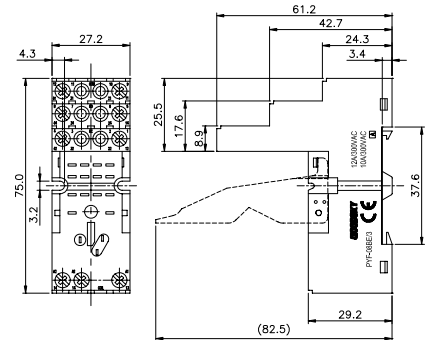
### PYF-08BE/3



Terminal illustration



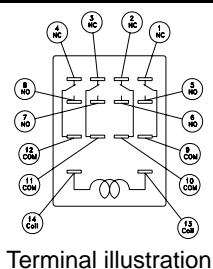
BS-29/36-P  
LM  
LE-1  
Equipment



Appearance illustration

Socket illustration

PYF-14A

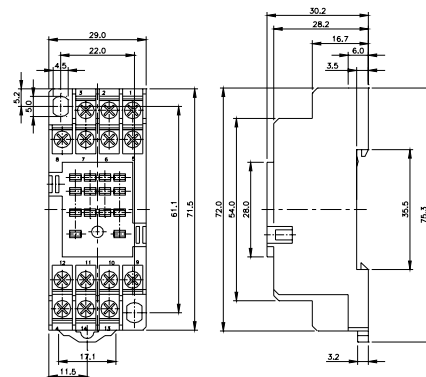


Terminal illustration



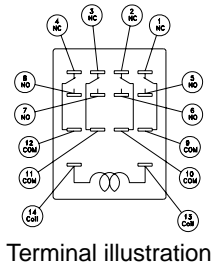
BS-36-M

Equipment



Appearance illustration

PYF-14AE

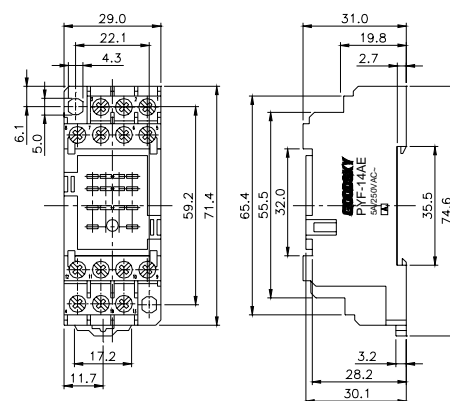


Terminal illustration



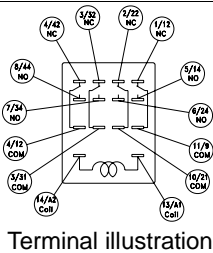
BS-36-M

Equipment

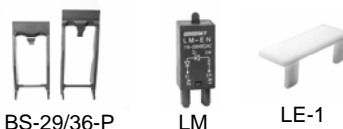


Appearance illustration

PYF-14BE



Terminal illustration

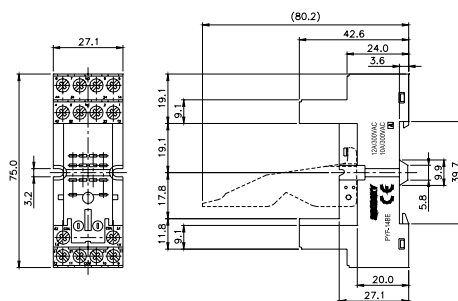


BS-29/36-P

LM

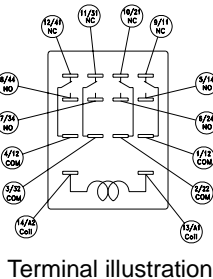
LE-1

Equipment

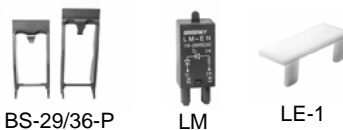


Appearance illustration

PYF-14BE/3



Terminal illustration

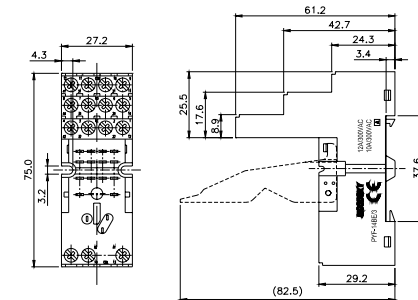


BS-29/36-P

LM

LE-1

Equipment



Appearance illustration